

# DATA SHEET

Premium Efficiency Motor: **SSPENV1.5-18-145TCRD,**

**60 Hz**

WorldWide Electric Corporation

1 (800) 808-2131

Worldwideelectric.net



Document Generated: 22-Feb-2023  
Document ID:

Customer:

MOTOR INFORMATION	
HP	1.5
RPM	1800
Phase	3
Frequency	60
Voltage	230/460
Frame Size	145TC
Enclosure	TENV
Degree of Protection	IP69K
Service Factor	1.15
Poles	4
Full Load Speed	1755
Insulation Class	F
Temp Rise	80°C
NEMA Code Letter	M
Duty Cycle	S1
Slip	2.50%
NEMA Design	B
Moment of Inertia	0.184 lb.ft.^2
Locked Rotor Time (Hot)	12 seconds
Sound Pressure Level	60 dB(A)
Number of Starts	12
Max Ambient Temperature	40° C
Max Elevation	1000 m.a.s.l (3300 f.a.s.l)
Mounting	F1
Rotation	Bidirectional
Area of Classification	Div.2 Class I, Gr. A,B,C&D T2B
Inverter Rating	10:1 CT/20:1 VT
Standard	NEMA MG1, UL1004
Approvals	CSA,UL,CE

EFFICIENCY/POWER FACTOR		
LOAD	EFF	P. F.
100%	86.5 %	0.74
75%	86.0 %	0.67
50%	83.0 %	0.53

TORQUE		
FULL LOAD	LRT	BDT
4.4 lb.ft.	300 %	400 %

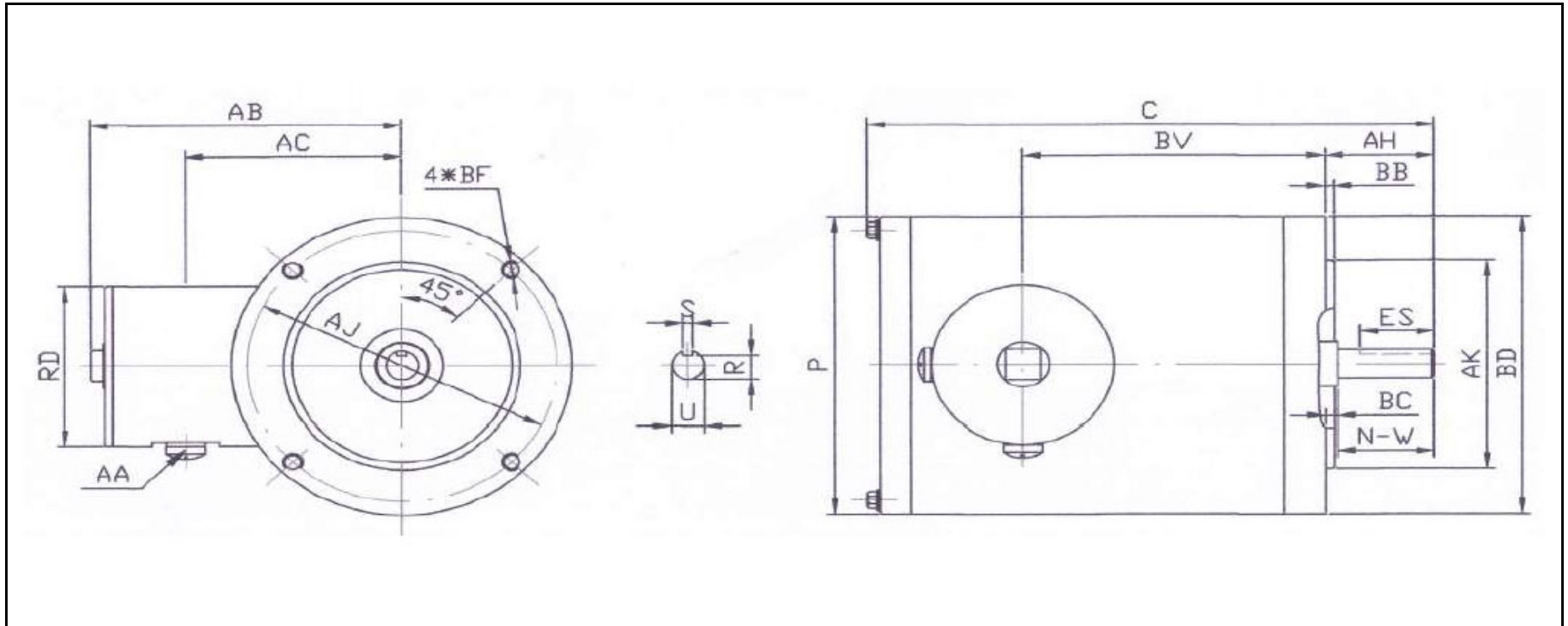
AMPERAGE INFORMATION		
	230V	460V
Full Load Amps	4.4	2.2
Locked Rotor Amps	40	20
No Load Current	2.8	1.4
Usable at 208V		5

BEARING INFORMATION	
DE Bearing	6205 2RS
ODE Bearing	6205 2RS
Grease Type	Mobil Polyrex EM

ADDITIONAL DATA	
F2 Suitable	No
Shaft Material	304 Stainless Steel
Connection Diagram	9 Lead 2Y/Y
Approximate Weight	51 lbs.

# WORLDWIDE ELECTRIC MOTOR DRAWING

## SSPENV-145TCRD (1.5HP 4P)



### DIMENSIONS - INCHES

FLANGE MOUNTING						C	P	AB
AK	BD	AJ	BF	BB	BC			
4.5	6.45	5.875	(4) 3/8-16	0.16	0.12	12.02	6.45	5.95

SHAFT & KEY					
S	ES	R	N-W	U	AH
0.188	1.41	0.771	2.25	0.875	2.12

TERMINAL BOX			
AA	AC	RD	BV
1/2" NPT	4.5	3.45	6.95

# PERFORMANCE CURVES

WorldWide Electric Corporation

1 (800) 808-2131

Worldwideelectric.net

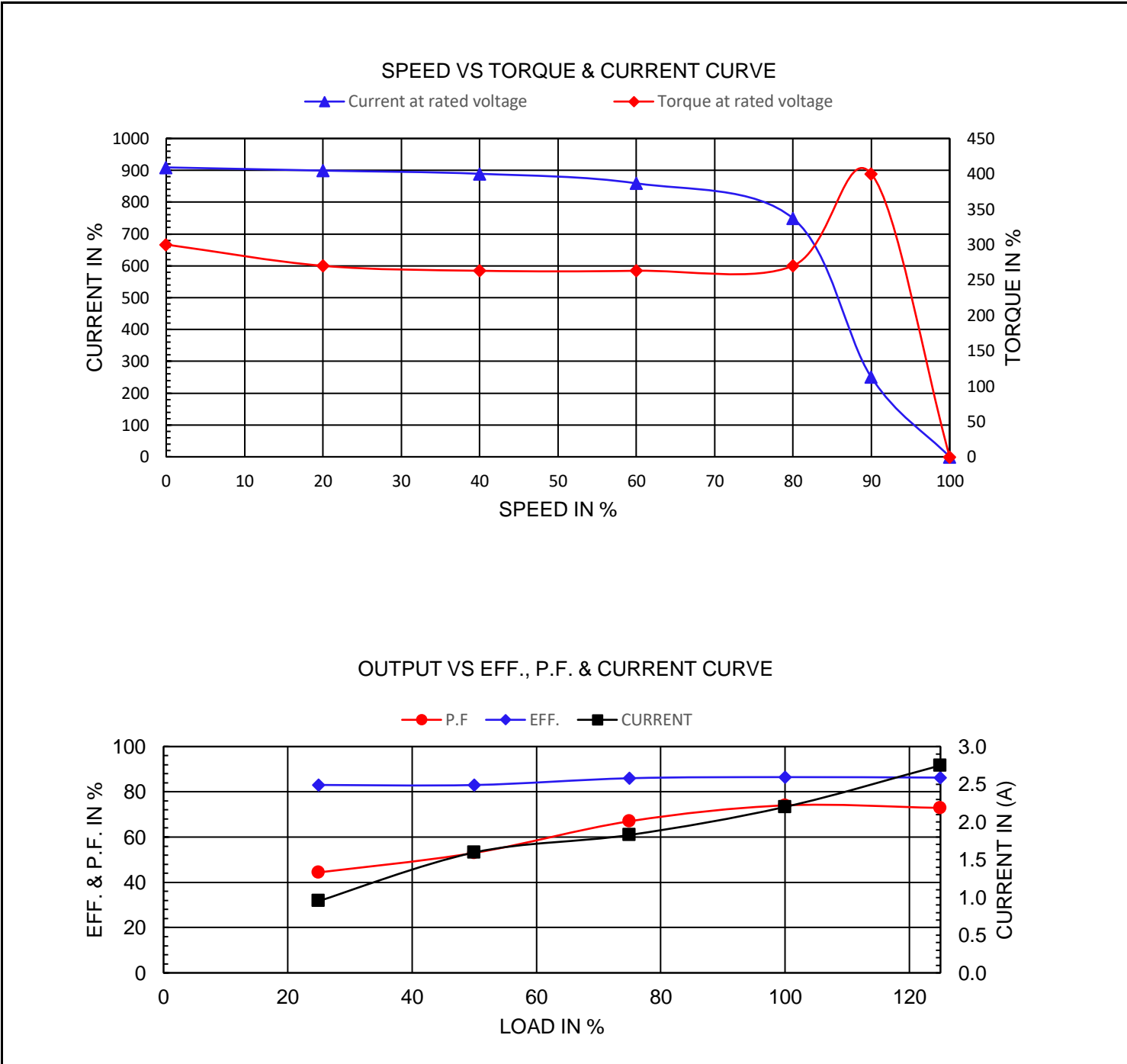


Premium Efficiency Motor:

**SSPENV1.5-18-145TCRD**

Document Generated:	15-Feb-2023	Customer:	
Document ID:			

Motor Type	SSPE			FL Speed	1755		
Output Rating (HP)	1.5			LRT (%FLT)	300	460 volt FLA	2.2
Full Load Torque	4.4	lb.ft		BDT (%FLT)	400	230 volt FLA	4.4
Rotor Wk^2	0.184	lb-ft^2					



# NAMEPLATE / WIRING

Premium Efficiency Motor:

**SSPENV1.5-18-145TCRD**

WorldWide Electric Corporation

1 (800) 808-2131

Worldwideelectric.net



Document Generated: 15-Feb-2023  
Document ID:

Customer:

## SAMPLE NAMEPLATE DATA

		<b>THREE PHASE AC INDUCTION MOTOR</b> <b>INVERTER DUTY 20:1 VT 10:1 CT</b>								
Model		FRAME		IP 69K		LB/WT				
Hz 60 S.F. 1.15		Hz 50 S.F. 1.15		ENCL. TEFC		AMB. 40°C				
HP RPM		HP RPM		DUTY CONT		INS. F				
VOLTS 230/460		VOLTS 190/380		NEMA DES. B						
AMP		AMP		BRG DE						
CODE P.F.		CODE P.F.		BRG ODE						
EFF MIN		IE3 -		NO.						

Model	SSPENV1.5-18-145TCRD			FRAME	145TC	LB/WT	51 lbs.
Hz	60	S.F.	1.15	Hz	50	S.F.	1.15
HP	1.5	RPM	1755	HP	1	RPM	1460
VOLTS	230/460			VOLTS	190/380		
AMPS	4.4/2.2			AMPS	3.6/1.8		
CODE	M	P.F.	0.74	CODE	N	P.F.	0.75
EFF	86.5%	MIN	83%	IE3 -	82.5%		
BRG DE	6205 2RS						
BRG ODE	6205 2RS						