

DATA SHEET

Premium Efficiency Motor: **SSPENV1.5-36-56C,**

60 Hz

WorldWide Electric Corporation

1 (800) 808-2131

Worldwideelectric.net



Document Generated: 22-Feb-2023
Document ID:

Customer:

MOTOR INFORMATION	
HP	1.5
RPM	3600
Phase	3
Frequency	60
Voltage	230/460
Frame Size	56C
Enclosure	TENV
Degree of Protection	IP69K
Service Factor	1.15
Poles	2
Full Load Speed	3525
Insulation Class	F
Temp Rise	80°C
NEMA Code Letter	M
Duty Cycle	S1
Slip	2.08%
NEMA Design	B
Moment of Inertia	0.094 lb.ft.^2
Locked Rotor Time (Hot)	12 seconds
Sound Pressure Level	74 dB(A)
Number of Starts	10
Max Ambient Temperature	40° C
Max Elevation	1000 m.a.s.l (3300 f.a.s.l)
Mounting	F1
Rotation	Bidirectional
Area of Classification	Div.2 Class I, Gr. A,B,C&D T2B
Inverter Rating	10:1 CT/20:1 VT
Standard	NEMA MG1, UL1004
Approvals	CSA,UL,CE

EFFICIENCY/POWER FACTOR		
LOAD	EFF	P. F.
100%	84.0 %	0.89
75%	84.5 %	0.85
50%	83.0 %	0.75

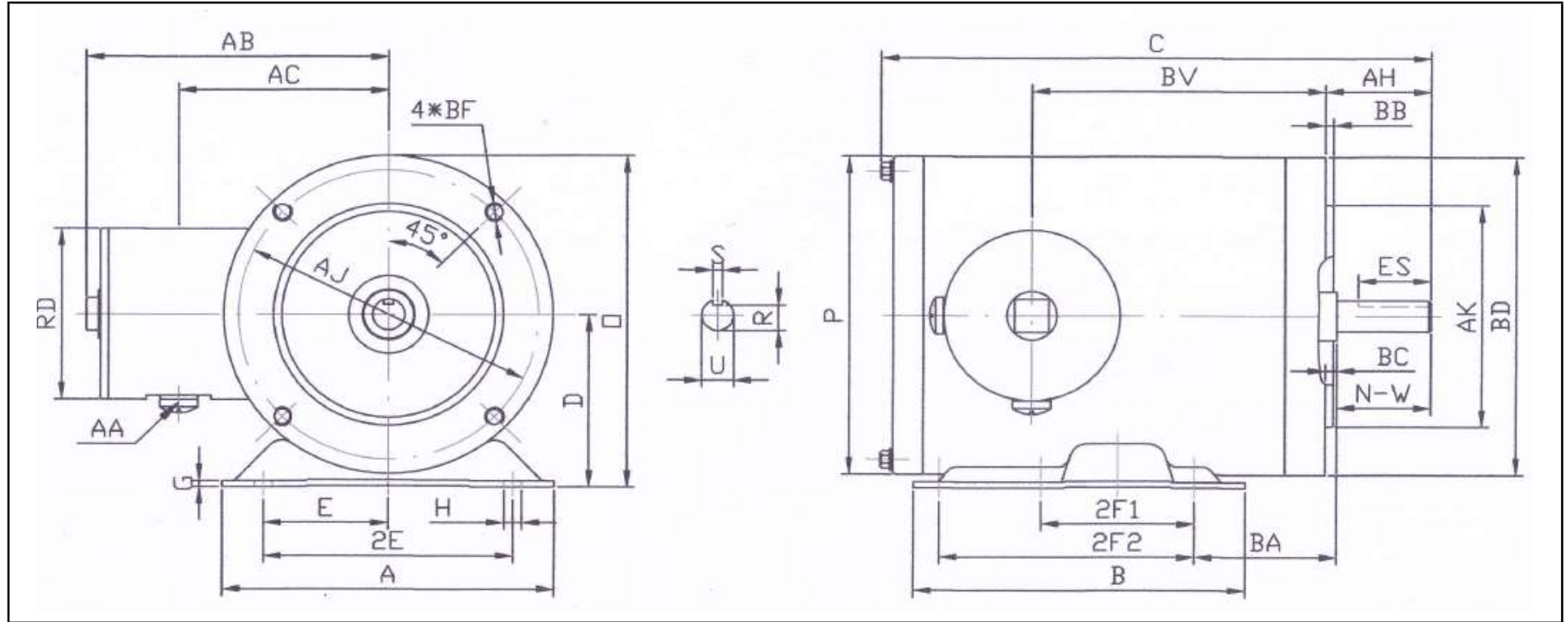
TORQUE		
FULL LOAD	LRT	BDT
2.3 lb.ft.	285 %	300 %

AMPERAGE INFORMATION		
	230V	460V
Full Load Amps	3.7	1.85
Locked Rotor Amps	40	20
No Load Current	1.4	0.7
Usable at 208V		4

BEARING INFORMATION	
DE Bearing	6205 2RS
ODE Bearing	6205 2RS
Grease Type	Mobil Polyrex EM

ADDITIONAL DATA	
F2 Suitable	No
Shaft Material	304 Stainless Steel
Connection Diagram	9 Lead 2Y/Y
Approximate Weight	46 lbs.

SSPENV-56C (1.5 HP)



DIMENSIONS - INCHES

MOUNTING					A	B	C	D	G	T	P	O	BC	AB
E	2F1	2F2	H	BA										
2.44	3	5	1.22*0.34	2.75	6.5	5	11.96	3.5	0.118	--	6.45	6.73	-0.19	5.95

SHAFT & KEY					
S	ES	R	N-W	U	AH
0.188	1.41	0.517	1.88	0.625	2.06

TERMINAL BOX				
AA	AB	AC	RD	BV
1/2	5.95	4.5	3.45	6.95

FLANGE				
AK	BD	AJ	BF	BB
4.5	6.45	5.875	(4)3/8-16	0.16

PERFORMANCE CURVES

WorldWide Electric Corporation

1 (800) 808-2131

Worldwideelectric.net

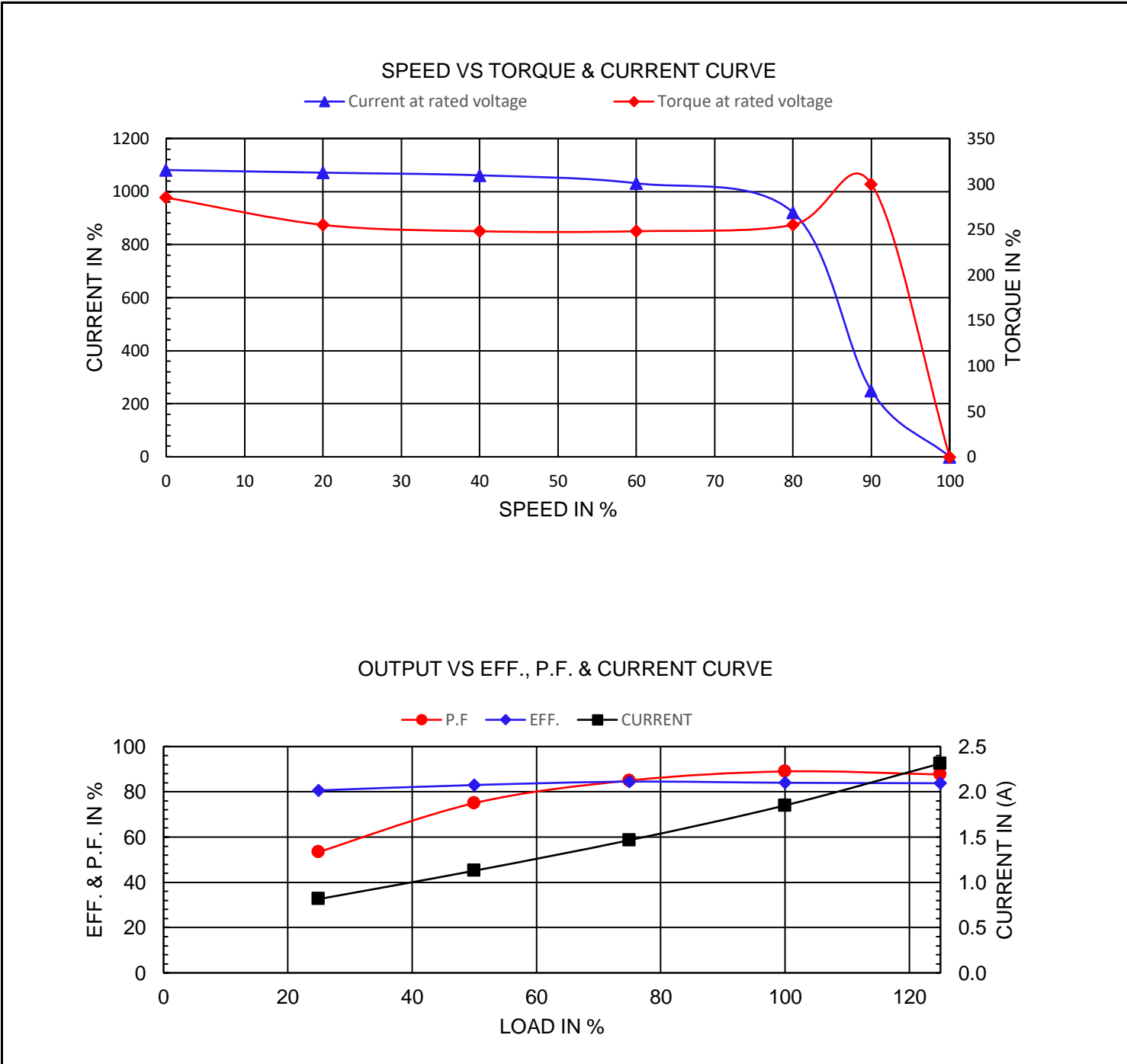


Premium Efficiency Motor:

SSPENV1.5-36-56C

Document Generated: 30-Jan-2023	Customer:
Document ID:	

Motor Type	SSPE		FL Speed	3525		
Output Rating (HP)	1.5		LRT (%FLT)	285	460 volt FLA	1.85
Full Load Torque	2.3	lb.ft	BDT (%FLT)	300	230 volt FLA	3.7
Rotor Wk^2	0.094	lb-ft^2				



NAMEPLATE / WIRING

Premium Efficiency Motor: **SSPENV1.5-36-56C**

WorldWide Electric Corporation

1 (800) 808-2131

Worldwideelectric.net



Document Generated: 30-Jan-2023	Customer:
Document ID:	

SAMPLE NAMEPLATE DATA

		THREE PHASE AC INDUCTION MOTOR INVERTER DUTY 20:1 VT 10:1 CT								
Model		FRAME		IP 69K		LB/WT				
Hz 60 S.F. 1.15		Hz 50 S.F. 1.15		ENCL. TEFC		AMB. 40°C				
HP RPM		HP RPM		DUTY CONT		INS. F				
VOLTS 230/460		VOLTS 190/380		NEMA DES. B						
AMP		AMP		BRG DE						
CODE P.F.		CODE P.F.		BRG ODE						
EFF MIN		IE3 -		NO.						

Model	SSPENV1.5-36-56C			FRAME	56C	LB/WT	46 lbs.
Hz	60	S.F.	1.15	Hz	50	S.F.	1.15
HP	1.5	RPM	3525	HP	1	RPM	2910
VOLTS	230/460			VOLTS	190/380		
AMPS	3.7/1.85			AMPS	3.0/1.5		
CODE	M	P.F.	0.89	CODE	N	P.F.	0.92
EFF	84%	MIN	83%	IE3 -	80.7%		
BRG DE	6205 2RS						
BRG ODE	6205 2RS						