

DATA SHEET

Premium Efficiency Motor: **SSPENV12-18-56CRD,**

60 Hz

WorldWide Electric Corporation

1 (800) 808-2131

Worldwideelectric.net



Document Generated: 22-Feb-2023
Document ID:

Customer:

MOTOR INFORMATION	
HP	1/2
RPM	1800
Phase	3
Frequency	60
Voltage	230/460
Frame Size	56C
Enclosure	TENV
Degree of Protection	IP69K
Service Factor	1.15
Poles	4
Full Load Speed	1745
Insulation Class	F
Temp Rise	80°C
NEMA Code Letter	R
Duty Cycle	S1
Slip	3.06%
NEMA Design	B
Moment of Inertia	0.069 lb.ft.^2
Locked Rotor Time (Hot)	12 seconds
Sound Pressure Level	58 dB(A)
Number of Starts	12
Max Ambient Temperature	40° C
Max Elevation	1000 m.a.s.l (3300 f.a.s.l)
Mounting	F1
Rotation	Bidirectional
Area of Classification	Div.2 Class I, Gr. A,B,C&D T2B
Inverter Rating	10:1 CT/20:1 VT
Standard	NEMA MG1, UL1004
Approvals	CSA,UL,CE

EFFICIENCY/POWER FACTOR		
LOAD	EFF	P. F.
100%	78.5 %	0.7
75%	76.0 %	0.6
50%	71.0 %	0.52

TORQUE		
FULL LOAD	LRT	BDT
1.5 lb.ft.	285 %	300 %

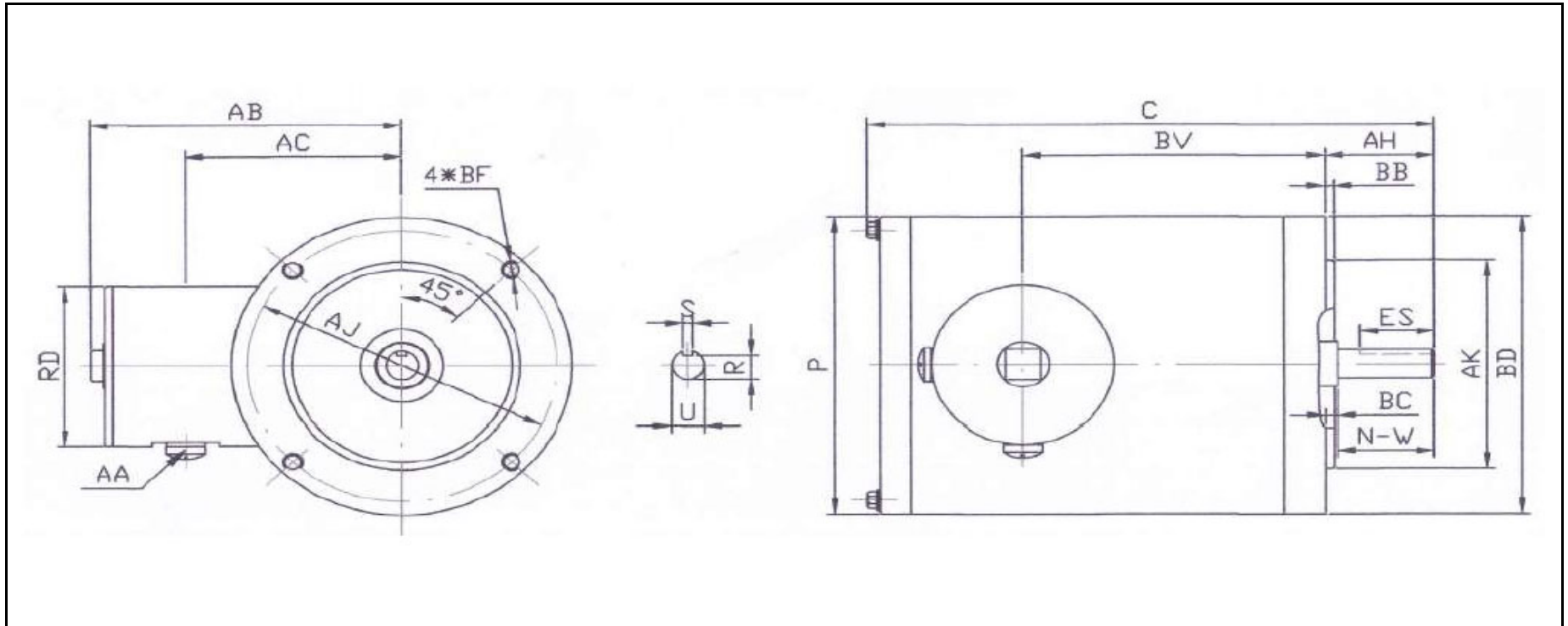
AMPERAGE INFORMATION		
	230V	460V
Full Load Amps	1.6	0.8
Locked Rotor Amps	20	10
No Load Current	1.3	0.65
Usable at 208V		2

BEARING INFORMATION	
DE Bearing	6205 2RS
ODE Bearing	6205 2RS
Grease Type	Mobil Polyrex EM

ADDITIONAL DATA	
F2 Suitable	No
Shaft Material	304 Stainless Steel
Connection Diagram	9 Lead 2Y/Y
Approximate Weight	30 lbs.

WORLDWIDE ELECTRIC MOTOR DRAWING

SSPENV-56CRD (1/3, 1/2 HP)



DIMENSIONS - INCHES

FLANGE MOUNTING						C	P	AB
AK	BD	AJ	BF	BB	BC			
4.5	6.45	5.875	(4) 3/8-16	0.16	-0.19	9.8	6.45	5.95

SHAFT & KEY					
S	ES	R	N-W	U	AH
0.188	1.41	0.517	1.88	0.625	2.06

TERMINAL BOX			
AA	AC	RD	BV
1/2" NPT	4.5	3.45	4.75

PERFORMANCE CURVES

WorldWide Electric Corporation

1 (800) 808-2131

Worldwideelectric.net



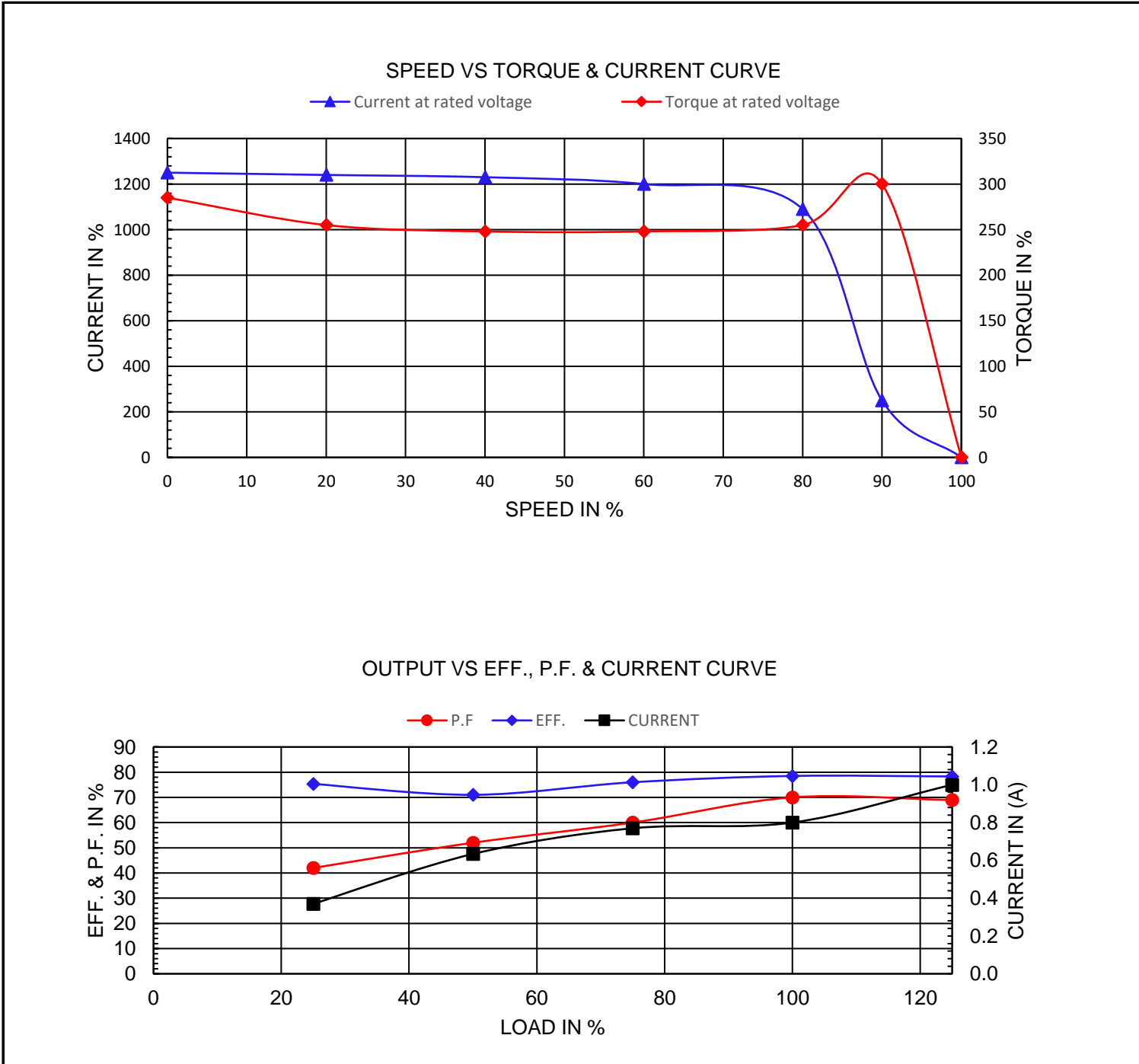
Premium Efficiency Motor:

SSPENV12-18-56CRD

Document Generated: 16-Feb-2023
Document ID:

Customer:

Motor Type	SSPE				
Output Rating (HP)	1/2	FL Speed	1745		
Full Load Torque	1.5 lb.ft	LRT (%FLT)	285	460 volt FLA	0.8
Rotor Wk ²	0.069 lb-ft ²	BDT (%FLT)	300	230 volt FLA	1.6



NAMEPLATE / WIRING

Premium Efficiency Motor:

SSPENV12-18-56CRD

WorldWide Electric Corporation

1 (800) 808-2131

Worldwideelectric.net



Document Generated: 16-Feb-2023
Document ID:

Customer:

SAMPLE NAMEPLATE DATA

		THREE PHASE AC INDUCTION MOTOR INVERTER DUTY 20:1 VT 10:1 CT							
Model .		FRAME		IP 69K	LB/WT		230V 		
Hz 60	S. F. 1.15	Hz 50	S. F. 1.15	ENCL. TEFC	AMB. 40°C		460V 		
HP	RPM	HP	RPM	DUTY CONT	INS. F				
VOLTS 230/460		VOLTS 190/380		NEMA DES. B					
AMP		AMP		BRG DE					
CODE	P. F.	CODE	P. F.	BRG ODE					
EFF	MIN	IE3 -		NO.					

Model	SSPENV12-18-56CRD		FRAME	56C	LB/WT	30 lbs.	
Hz	60	S.F.	1.15	Hz	50	S.F.	1.15
HP	1/2	RPM	1745	HP	1/3	RPM	1450
VOLTS		230/460		VOLTS		190/380	
AMPS		1.6/0.8		AMPS		1.6/0.8	
CODE	R	P.F.	0.7	CODE	P	P.F.	0.64
EFF	78.5%	MIN	71%	IE3 -	73.5%		
BRG DE		6205 2RS					
BRG ODE		6205 2RS					