

# DATA SHEET

Premium Efficiency Motor: **SSPENV2-36-145TC,**

**60 Hz**

WorldWide Electric Corporation

1 (800) 808-2131

Worldwideelectric.net



Document Generated: 22-Feb-2023  
Document ID:

Customer:

MOTOR INFORMATION	
HP	2
RPM	3600
Phase	3
Frequency	60
Voltage	230/460
Frame Size	145TC
Enclosure	TENV
Degree of Protection	IP69K
Service Factor	1.15
Poles	2
Full Load Speed	3520
Insulation Class	F
Temp Rise	80°C
NEMA Code Letter	L
Duty Cycle	S1
Slip	2.22%
NEMA Design	B
Moment of Inertia	0.13 lb.ft.^2
Locked Rotor Time (Hot)	12 seconds
Sound Pressure Level	75 dB(A)
Number of Starts	10
Max Ambient Temperature	40° C
Max Elevation	1000 m.a.s.l (3300 f.a.s.l)
Mounting	F1
Rotation	Bidirectional
Area of Classification	Div.2 Class I, Gr. A,B,C&D T2B
Inverter Rating	10:1 CT/20:1 VT
Standard	NEMA MG1, UL1004
Approvals	CSA,UL,CE

EFFICIENCY/POWER FACTOR		
LOAD	EFF	P. F.
100%	85.5 %	0.9
75%	86.0 %	0.85
50%	85.0 %	0.76

TORQUE		
FULL LOAD	LRT	BDT
2.9 lb.ft.	285 %	300 %

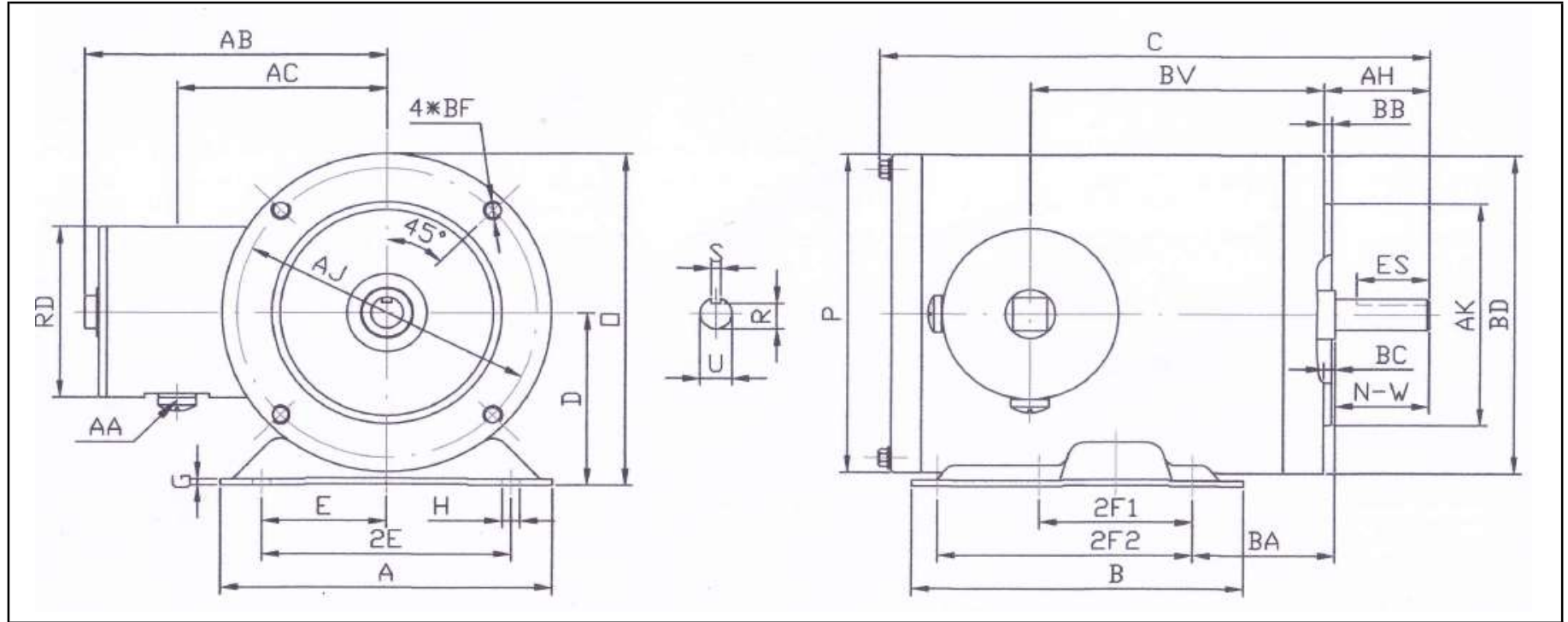
AMPERAGE INFORMATION		
	230V	460V
Full Load Amps	5	2.5
Locked Rotor Amps	50	25
No Load Current	2	1
Usable at 208V		6

BEARING INFORMATION	
DE Bearing	6205 2RS
ODE Bearing	6205 2RS
Grease Type	Mobil Polyrex EM

ADDITIONAL DATA	
F2 Suitable	No
Shaft Material	304 Stainless Steel
Connection Diagram	9 Lead 2Y/Y
Approximate Weight	60 lbs.

# WORLDWIDE ELECTRIC MOTOR DRAWING

## SSPENV-145TC (2 HP)



### DIMENSIONS - INCHES

MOUNTING					A	B	C	D	G	T	P	O	BC	AB
E	2F1	2F2	H	BA										
2.75	3	5	1.22*0.34	2.75	6.5	6.5	13.81	3.5	0.118	--	6.45	6.73	0.12	5.95

SHAFT & KEY					
S	ES	R	N-W	U	AH
0.188	1.41	0.771	2.25	0.875	2.12

TERMINAL BOX				
AA	AB	AC	RD	BV
1/2	5.95	4.5	3.45	8.75

FLANGE				
AK	BD	AJ	BF	BB
4.5	6.45	5.875	(4)3/8-16	0.16

# PERFORMANCE CURVES

WorldWide Electric Corporation

1 (800) 808-2131

Worldwideelectric.net

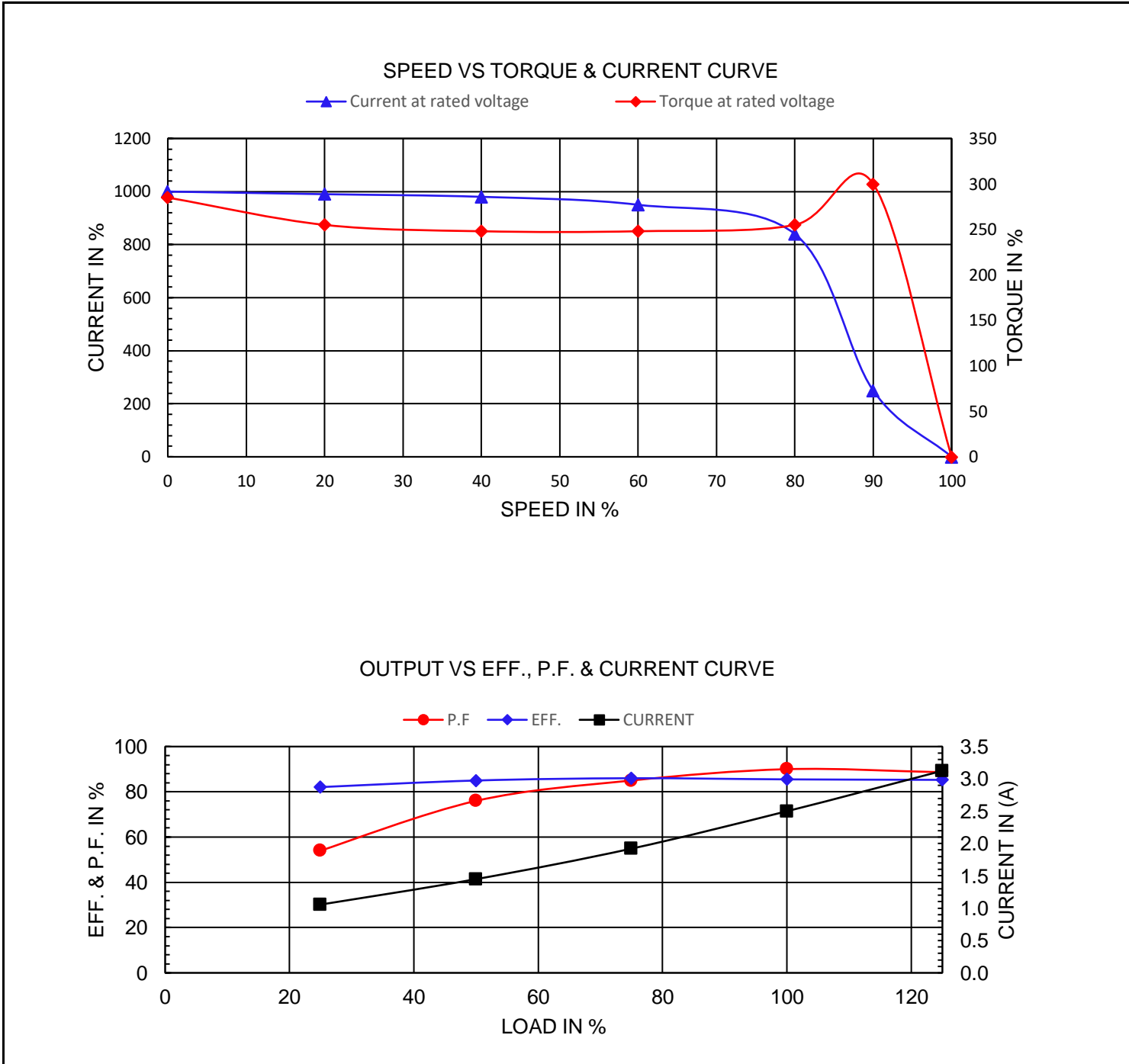


Premium Efficiency Motor:

**SSPENV2-36-145TC**

Document Generated: 30-Jan-2023	Customer:
Document ID:	

Motor Type	SSPE		FL Speed	3520	
Output Rating (HP)	2		LRT (%FLT)	285	
Full Load Torque	2.9	lb.ft	460 volt FLA	2.5	
Rotor Wk <sup>2</sup>	0.13	lb-ft <sup>2</sup>	230 volt FLA	5	
			BDT (%FLT)	300	



# NAMEPLATE / WIRING

Premium Efficiency Motor: **SSPENV2-36-145TC**

WorldWide Electric Corporation

1 (800) 808-2131

Worldwideelectric.net



Document Generated: 30-Jan-2023	Customer:
Document ID:	

## SAMPLE NAMEPLATE DATA

		<b>THREE PHASE AC INDUCTION MOTOR</b> <b>INVERTER DUTY 20:1 VT 10:1 CT</b>							
Model		FRAME		IP 69K	LB/WT				
Hz 60	S. F. 1.15	Hz 50	S. F. 1.15	ENCL. TEFC	AMB. 40°C				
HP	RPM	HP	RPM	DUTY CONT	INS. F				
VOLTS 230/460		VOLTS 190/380		NEMA DES. B					
AMP		AMP		BRG DE					
CODE	P. F.	CODE	P. F.	BRG ODE					
EFF	MIN	IE3 -		NO.					

Model	SSPENV2-36-145TC			FRAME	145TC	LB/WT	60 lbs.
Hz	60	S.F.	1.15	Hz	50	S.F.	1.15
HP	2	RPM	3520	HP	1 1/2	RPM	2915
VOLTS	230/460			VOLTS	190/380		
AMPS	5/2.5			AMPS	4.6/2.3		
CODE	L	P.F.	0.9	CODE	M	P.F.	0.88
EFF	85.5%	MIN	85%	IE3 -	82.7%		
BRG DE	6205 2RS						
BRG ODE	6205 2RS						