

# DATA SHEET

Premium Efficiency Motor: **SSPENV34-36-56CRD,**

**60 Hz**

WorldWide Electric Corporation

1 (800) 808-2131

Worldwideelectric.net



Document Generated: 22-Feb-2023  
Document ID:

Customer:

MOTOR INFORMATION	
HP	3/4
RPM	3600
Phase	3
Frequency	60
Voltage	230/460
Frame Size	56C
Enclosure	TENV
Degree of Protection	IP69K
Service Factor	1.15
Poles	2
Full Load Speed	3500
Insulation Class	F
Temp Rise	80°C
NEMA Code Letter	P
Duty Cycle	S1
Slip	2.78%
NEMA Design	B
Moment of Inertia	0.05 lb.ft.^2
Locked Rotor Time (Hot)	12 seconds
Sound Pressure Level	73 dB(A)
Number of Starts	12
Max Ambient Temperature	40° C
Max Elevation	1000 m.a.s.l (3300 f.a.s.l)
Mounting	F1
Rotation	Bidirectional
Area of Classification	Div.2 Class I, Gr. A,B,C&D T2B
Inverter Rating	10:1 CT/20:1 VT
Standard	NEMA MG1, UL1004
Approvals	CSA,UL,CE

EFFICIENCY/POWER FACTOR		
LOAD	EFF	P. F.
100%	77.0 %	0.83
75%	74.0 %	0.77
50%	68.0 %	0.68

TORQUE		
FULL LOAD	LRT	BDT
1.1 lb.ft.	285 %	300 %

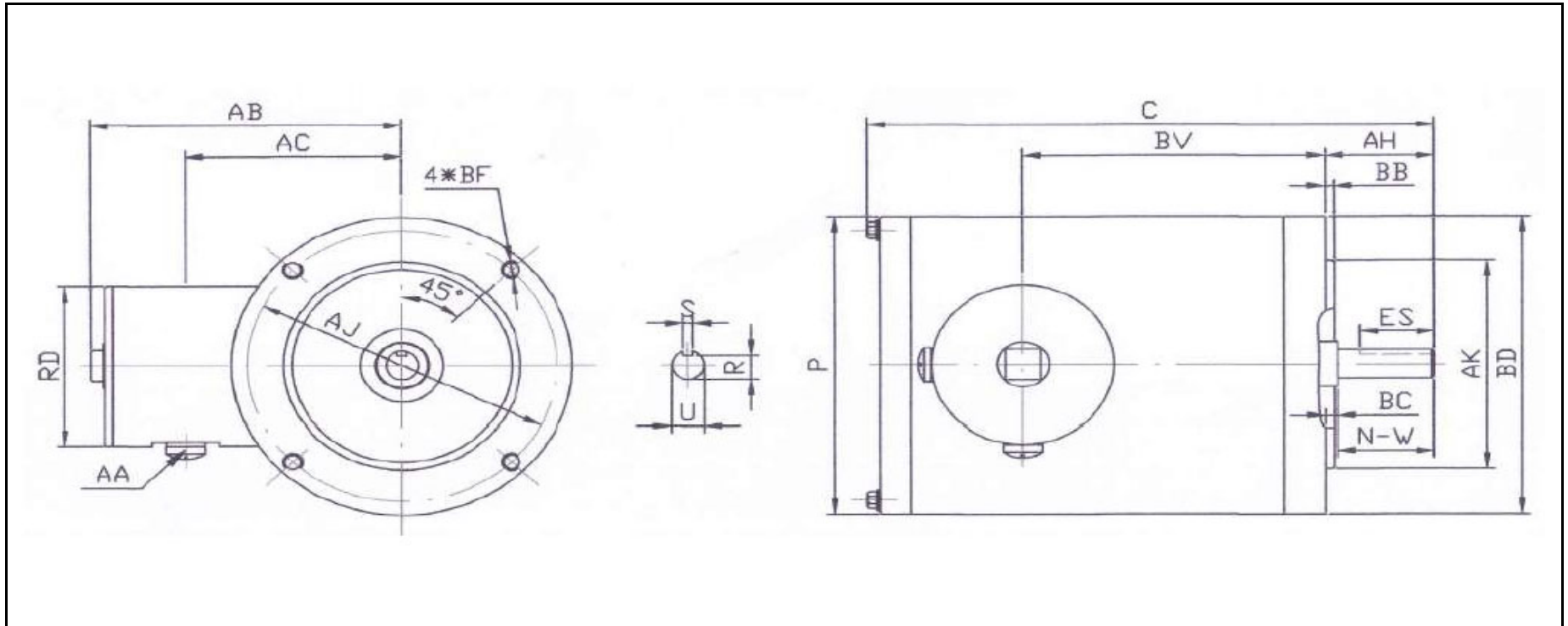
AMPERAGE INFORMATION		
	230V	460V
Full Load Amps	2.2	1.1
Locked Rotor Amps	25	12.5
No Load Current	1.1	0.55
Usable at 208V		2

BEARING INFORMATION	
DE Bearing	6205 2RS
ODE Bearing	6205 2RS
Grease Type	Mobil Polyrex EM

ADDITIONAL DATA	
F2 Suitable	No
Shaft Material	304 Stainless Steel
Connection Diagram	9 Lead 2Y/Y
Approximate Weight	33 lbs.

# WORLDWIDE ELECTRIC MOTOR DRAWING

## SSPENV-56CRD (3/4, 1 HP)



### DIMENSIONS - INCHES

FLANGE MOUNTING						C	P	AB
AK	BD	AJ	BF	BB	BC			
4.5	6.45	5.875	(4) 3/8-16	0.16	-0.19	10.78	6.45	5.95

SHAFT & KEY					
S	ES	R	N-W	U	AH
0.188	1.41	0.517	1.88	0.625	2.06

TERMINAL BOX			
AA	AC	RD	BV
1/2" NPT	4.5	3.45	5.75

# PERFORMANCE CURVES

WorldWide Electric Corporation

1 (800) 808-2131

Worldwideelectric.net



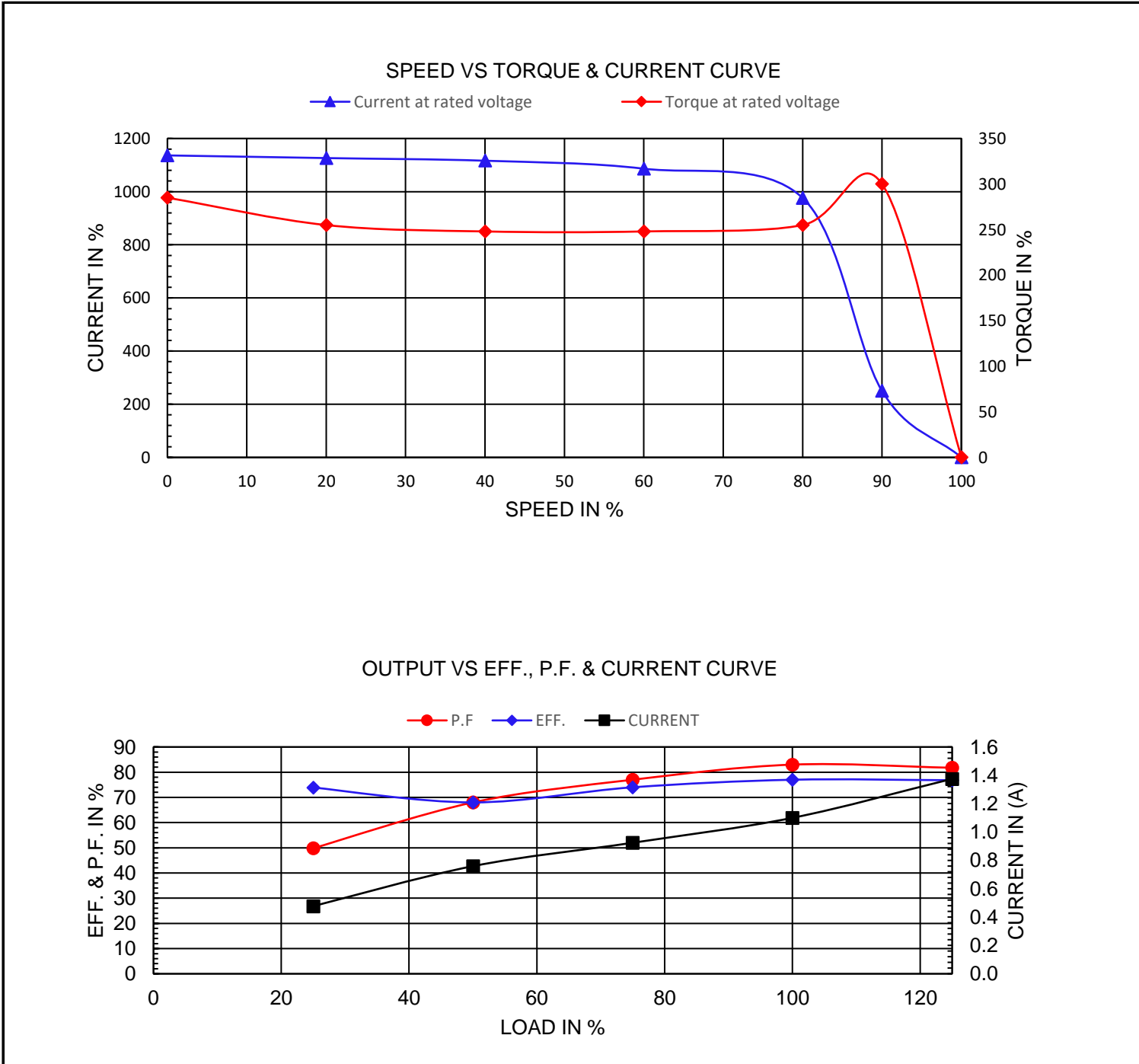
Premium Efficiency Motor:

**SSPENV34-36-56CRD**

Document Generated: 16-Feb-2023  
Document ID:

Customer:

Motor Type	SSPE				
Output Rating (HP)	3/4	FL Speed	3500		
Full Load Torque	1.1 lb.ft	LRT (%FLT)	285	460 volt FLA	1.1
Rotor Wk <sup>2</sup>	0.05 lb-ft <sup>2</sup>	BDT (%FLT)	300	230 volt FLA	2.2



# NAMEPLATE / WIRING

Premium Efficiency Motor:

**SSPENV34-36-56CRD**

WorldWide Electric Corporation

1 (800) 808-2131

Worldwideelectric.net



Document Generated: 16-Feb-2023  
Document ID:

Customer:

## SAMPLE NAMEPLATE DATA

		<b>THREE PHASE AC INDUCTION MOTOR</b> <b>INVERTER DUTY 20:1 VT 10:1 CT</b>									
									Model .		FRAME
Hz 60 S. F. 1.15		Hz 50 S. F. 1.15		ENCL. TEFC		AMB. 40°C					
HP RPM		HP RPM		DUTY CONT		INS. F					
VOLTS 230/460		VOLTS 190/380		NEMA DES. B							
AMP		AMP		BRG DE							
CODE	P. F.	CODE	P. F.	BRG ODE							
EFF MIN		IE3 -		NO.							

Model	SSPENV34-36-56CRD			FRAME	56C	LB/WT	33 lbs.
Hz	60	S.F.	1.15	Hz	50	S.F.	1.15
HP	3/4	RPM	3500	HP	1/2	RPM	2890
VOLTS	230/460			VOLTS	190/380		
AMPS	2.2/1.1			AMPS	1.8/0.9		
CODE	P	P.F.	0.83	CODE	N	P.F.	0.83
EFF	77%	MIN	68%	IE3 -	73.8%		
BRG DE	6205 2RS						
BRG ODE	6205 2RS						