

1 2 3 4 5 6 7

A

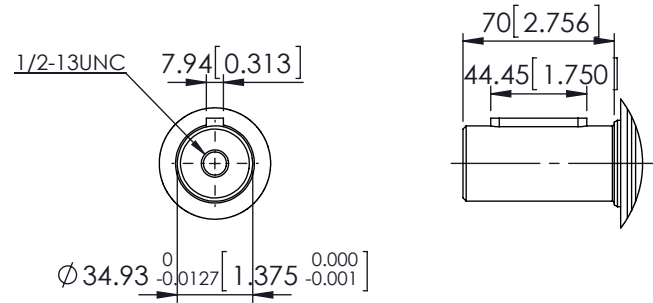
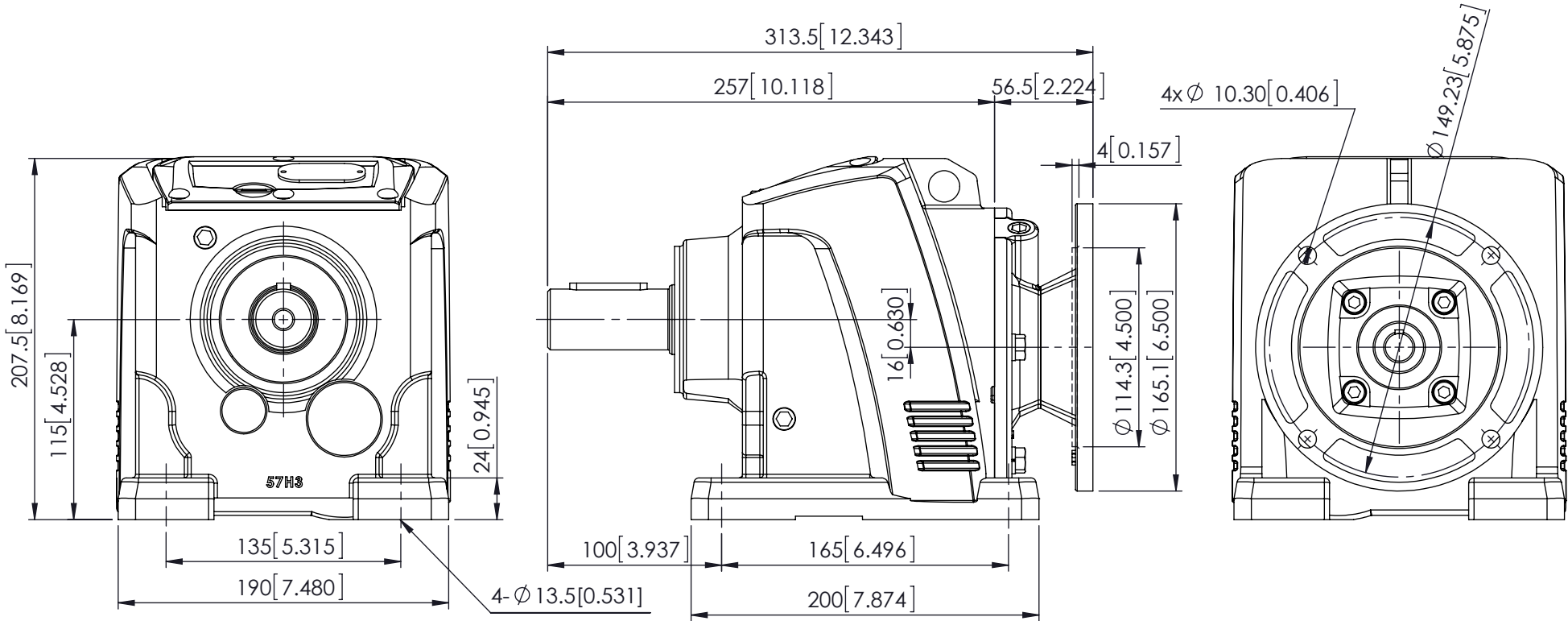
B

C

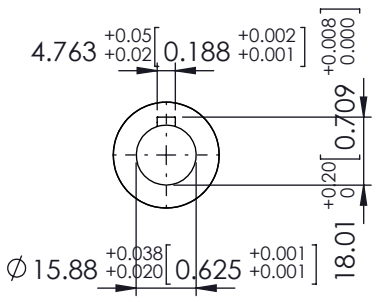
D

E

F



OUTPUT SHAFT



INPUT BORE

SCABBLE TOLERANCE >0 ± 0.1 >6 ± 0.2 >30 ± 0.3 >120 ± 0.5 >315 ± 0.8	DWG.	2024.11.29	Y.S.P	WORLD WIDE	
	DESN.				
	APPR.				
MACHINING REQUIRED ~ NO-MACHINING ▽ 50S ▽▽ 25S ▽▽▽ 6S ANG. TOLERANCE±0.5	DATE	NAME	TITLE	WINL57-56C	
	SCALE	1:3.5		DWG. NO.	057HF-R3
			REV.		