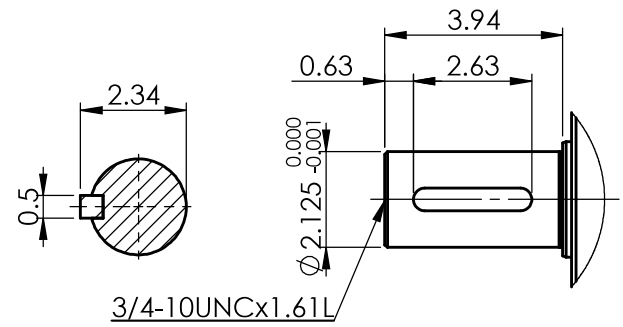
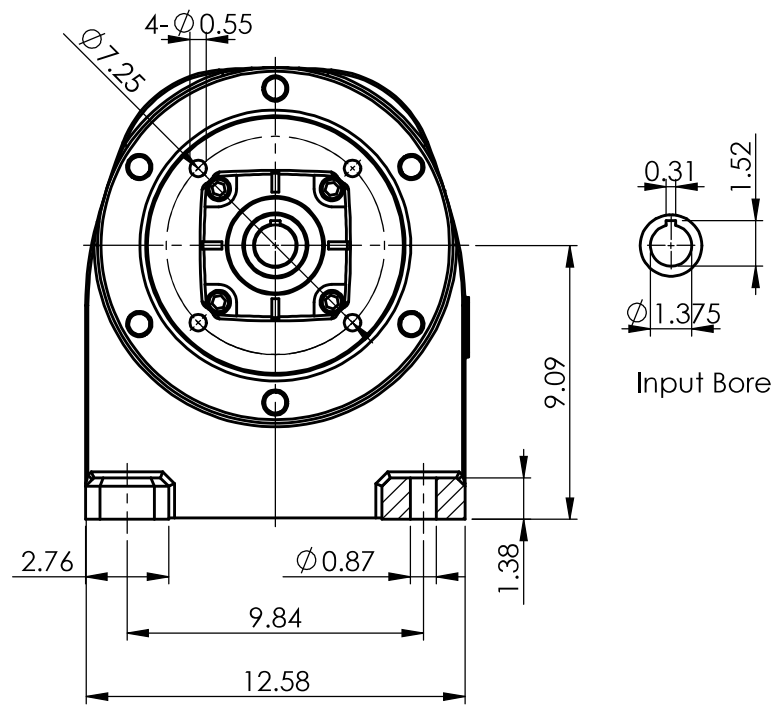
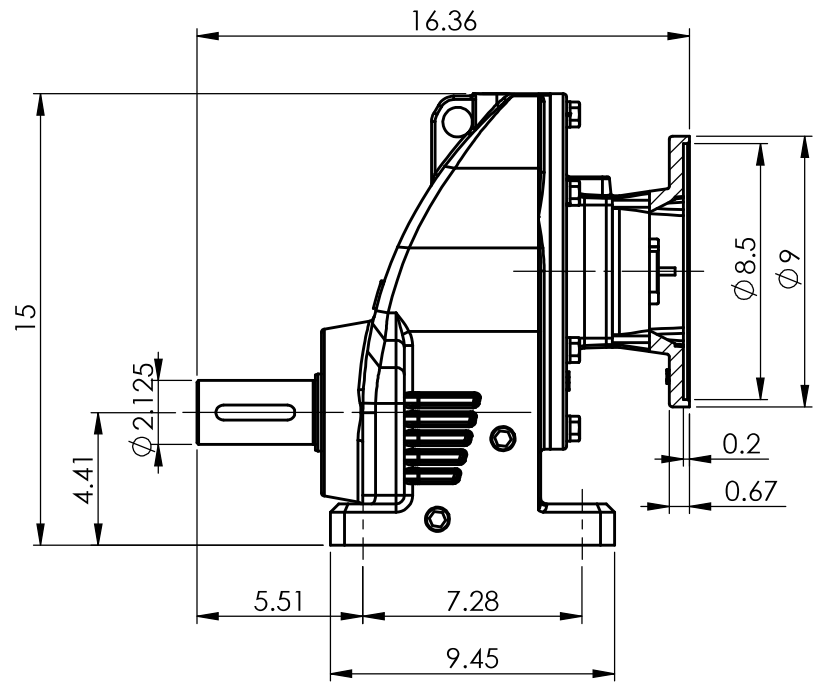


1 2 3 4 5 6 7

A
B
C
D
E
F



Output Shaft

NO.	PART NO.	MATERIAL	PC	RAW MATERIAL	WEIGHT	NOTE
		SCABBLE TOLERANCE				
>0	± 0.1	DWG.	2014.07.18	JOENG	WORLDWIDE	
>6	± 0.2	DESN.				
>30	± 0.3	APPR.				
>120	± 0.5		DATE	NAME	TITLE	WINL97-213/5TC(1-STAGE)
>315	± 0.8				DWG. NO.	RX097
		MACHINING REQUIRED				
		- NO-MACHINING				
		▽ 50S				
		▽▽ 25S				
		▽▽▽ 6S				
		ANG. TOLERANCE ±0.5	SCALE	1:6	REV.	A

NO.	SECTION	ORIGIN	MODIFICATION	DATE	IN CHARGE