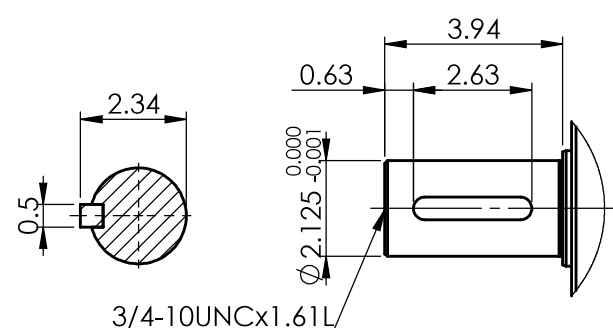
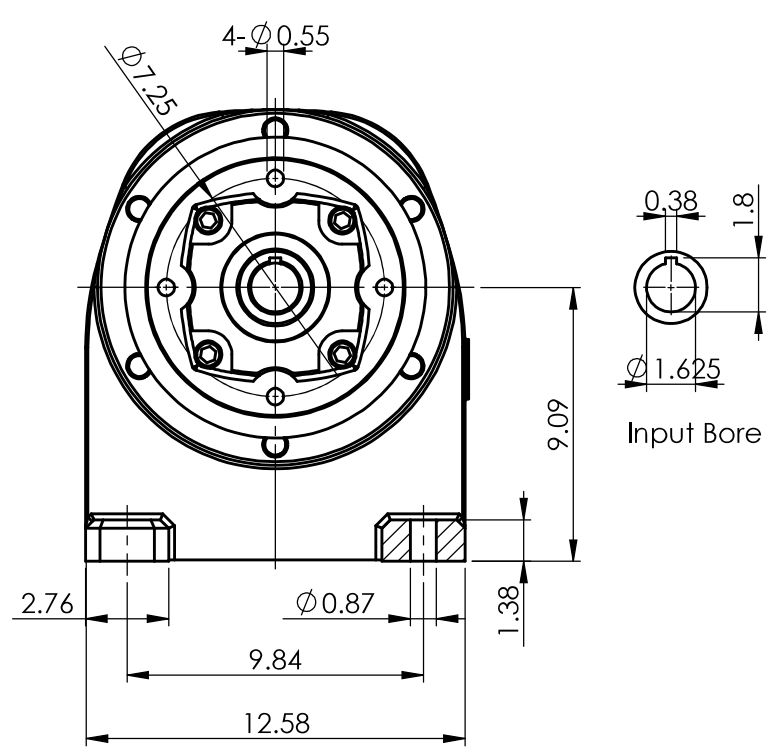
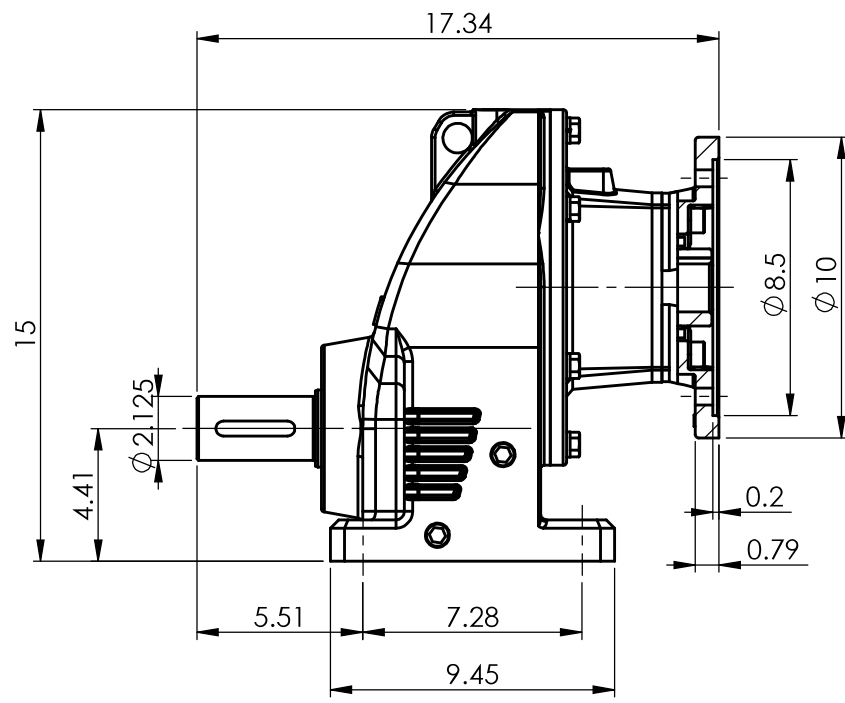


1 2 3 4 5 6 7

A
B
C
D
E
F



3/4-10UNCx1.61L
Output Shaft

NO.	PART NO.	MATERIAL	PC	RAW MATERIAL	WEIGHT	NOTE		
<small>SCABBLE TOLERANCE</small> >0 ± 0.1 >6 ± 0.2 >30 ± 0.3 >120 ± 0.5 >315 ± 0.8		DWG.	2014.07.18	JOENG	WORLDWIDE			
<small>MACHINING REQUIRED</small> - NO-MACHINING ▽ 50S ▽ 25S ▽ 6S <small>ANG. TOLERANCE ± 0.5</small>		DESN.						
		APPR.						
		DATE	NAME	TITLE	WINL97-254/6TC(1-STAGE)			
NO.	SECTION	ORIGIN	MODIFICATION	DATE	IN CHARGE	SCALE 1:6	DWG. NO. RX097	REV. A