

# DATA SHEET

Premium Efficiency Motor: **WPEVHS10-18-215TP-10,**

**60 Hz**

WorldWide Electric Corporation

1 (800) 808-2131

Worldwideelectric.net



Document Generated: 11-May-2022  
Document ID:

Customer:

## MOTOR INFORMATION

HP	10
RPM	1800
Phase	3
Frequency	60 Hz
Voltage	230/460
Frame Size	215TP
Enclosure	ODP - WPI
Degree of Protection	IP23
Service Factor	1.15
Poles	4
Full Load Speed	1780
Insulation Class	F
Temp Rise	80°C
NEMA Code Letter	H
Duty Cycle	S1 / Continuous
Slip	1.11%
NEMA Design	B
Moment of Inertia	3.49 lb.ft.^2
Locked Rotor Time (Hot)	111 seconds
Sound Pressure Level	88 dB(A)
Number of Starts	3 Cold / 2 Hot
Max Ambient Temperature	40°C
Max Elevation	1000 m.a.s.l (3300 f.a.s.l)
Mounting	V1
Rotation	CCW - with Anti-Reverese Ratchet
Area of Classification	Safe
Inverter Rating	10:1 VT
Standard	NEMA MG-1
Approvals	CSA

## EFFICIENCY/POWER FACTOR

LOAD	EFF	P. F.
100%	91.7 %	0.84
75%	91.8 %	0.79
50%	90.2 %	0.7

## TORQUE

FULL LOAD	LRT	BDT
29 lb.ft.	220 %	250 %

## AMPERAGE INFORMATION

	230V	460V
Full Load Amps	24.4A	12.2A
Locked Rotor Amps	170A	85A
No Load Current	9A	4.5A

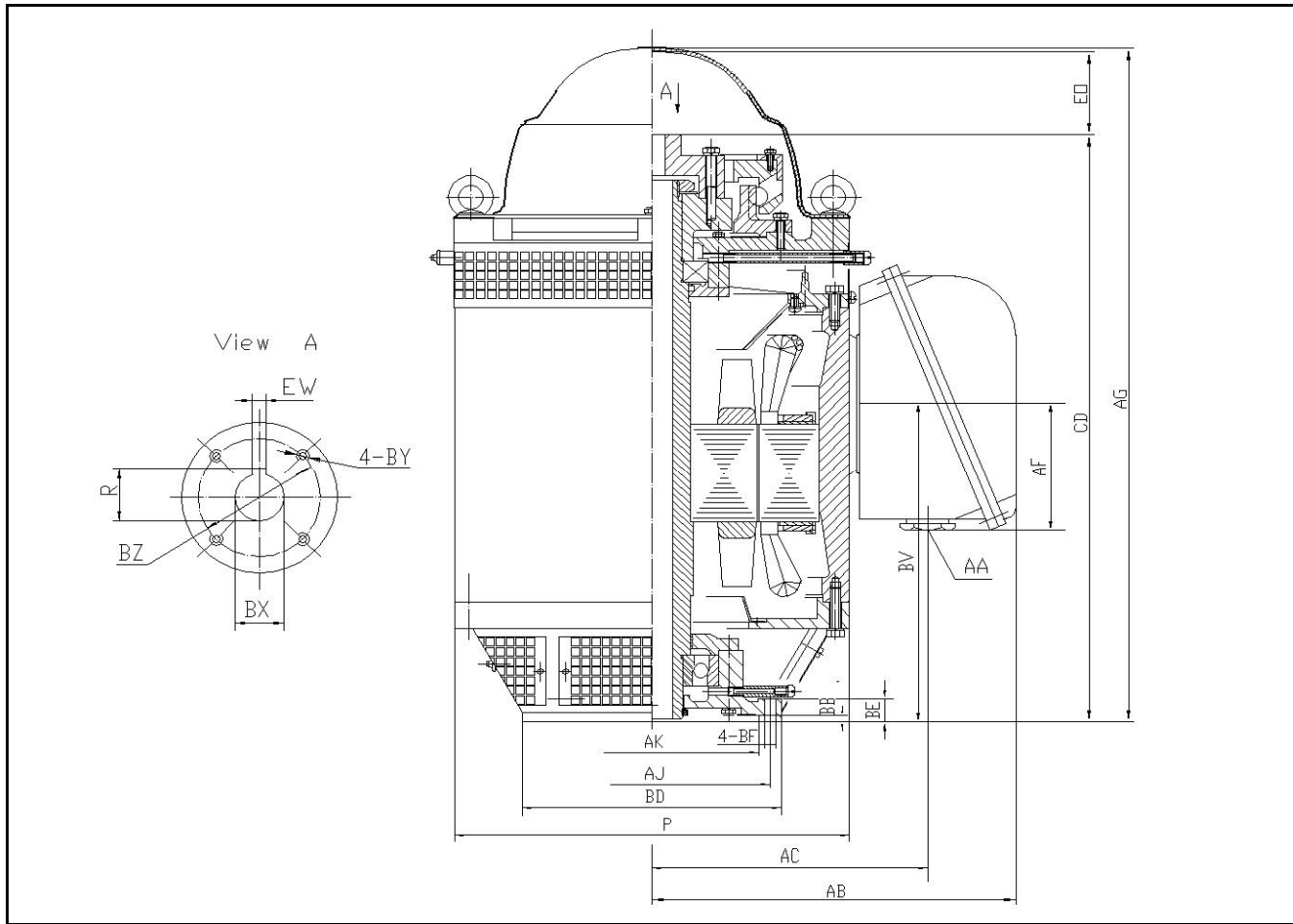
## BEARING INFORMATION

Lower (DE) Bearing	7310B
Upper (ODE) Bearing	6210-C3
DE Lubrication Type	Mobil Polyrex EM
ODE Lubrication Type	Mobil Polyrex EM
DE Regreasing Interval	3800 Hours
ODE Regreasing Interval	3800 Hours
Lubrication Quantity	25g / 40g

## ADDITIONAL DATA

Down Thrust	2500 lbs
Shaft Material	45 Carbon Steel
Connection Diagram	12 Lead 2Δ/Δ
Approximate Weight	366 lbs.

**215TP - 10 BD**



**DIMENSIONS - INCHES**

COUPLING - STANDARD BORE				
BX	EW	R	BY	BZ
1	1/4	1.13	10-32	1-3/8

OVERALL			
P	AB	AG	BV
15.2	14.06	21.52	11.82

BASE						
AJ	AK	BB	BD	BF	EO	BE
9.125	8.25	0.19	10	4 * 0.44	3.96	0.75

CD	AC	AF	AA
17.56	10.6	5.83	1 NPT

# PERFORMANCE CURVES

WorldWide Electric Corporation

1 (800) 808-2131

Worldwideelectric.net



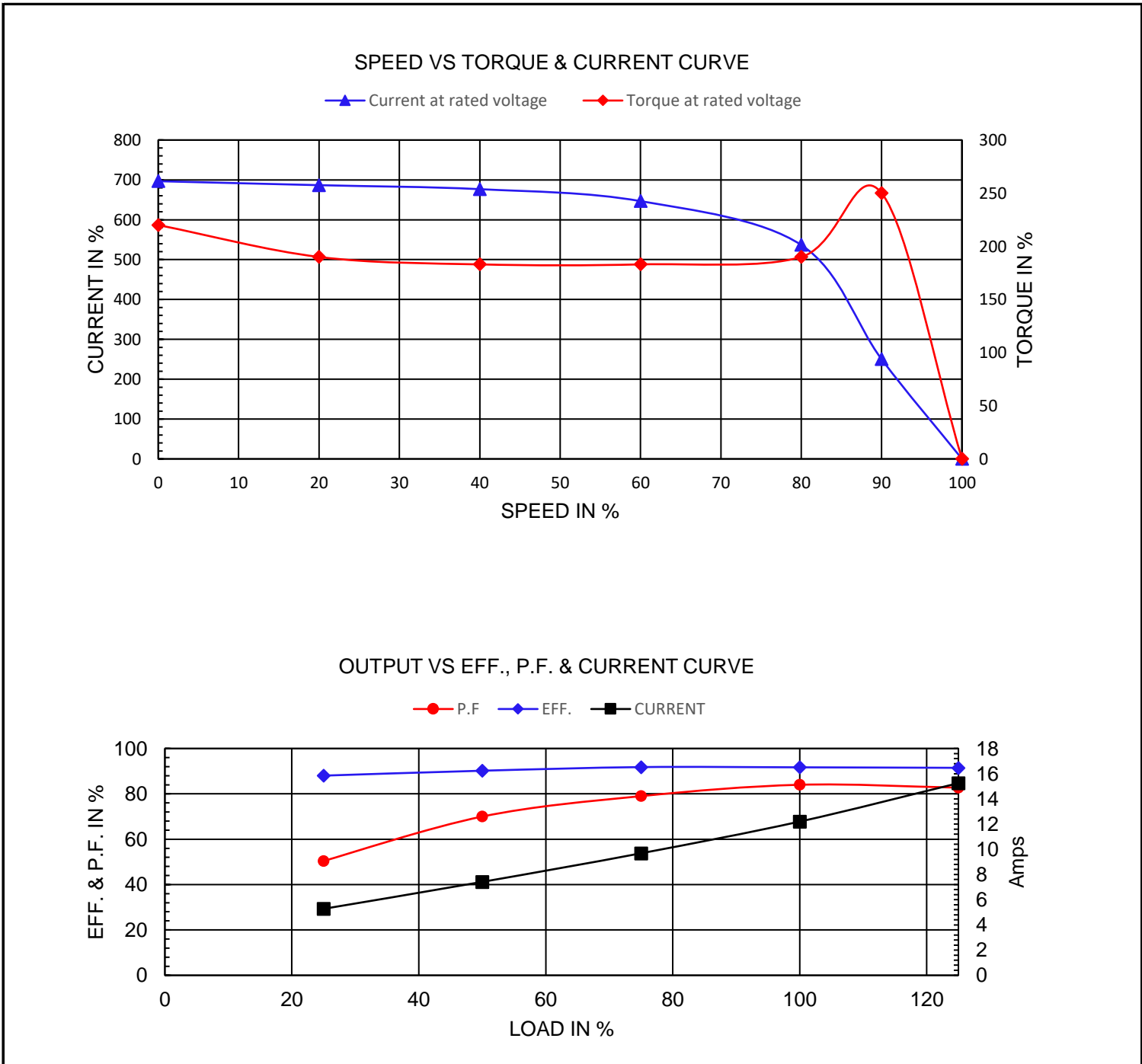
Premium Efficiency Motor:

**WPEVHS10-18-215TP-10**

Document Generated: 25-Jan-2023  
Document ID:

Customer:

Motor Type	WPEVHS				
Output Rating (HP)	10	FL Speed	1780		
Full Load Torque	29 lb.ft	LRT (%FLT)	220	460 volt FLA	12.2A
Rotor Wk <sup>2</sup>	91.7 lb-ft <sup>2</sup>	BDT (%FLT)	250	230 volt FLA	24.4A



# NAMEPLATE / WIRING

Premium Efficiency Motor: **WPEVHS10-18-215TP-10**

WorldWide Electric Corporation

1 (800) 808-2131




Worldwideelectric.net



Document Generated: 11-May-2022  
Document ID:

Customer:

## SAMPLE NAMEPLATE DATA

		<b>PREMIUM EFFICIENCY THREE PHASE VHS MOTOR</b>				<b>CC326B</b>														
Model:																				
Frame:	Ins Cl: F	Hz:	60	50	<table border="1"> <tr> <td colspan="2">230V</td> </tr> <tr> <td>T4</td><td>T9</td><td>T6</td></tr> <tr> <td>T8</td><td>T5</td><td>T7</td></tr> <tr> <td>T10</td><td>T11</td><td>T12</td></tr> <tr> <td>T2</td><td>T3</td><td>T1</td></tr> </table>		230V		T4	T9	T6	T8	T5	T7	T10	T11	T12	T2	T3	T1
230V																				
T4	T9	T6																		
T8	T5	T7																		
T10	T11	T12																		
T2	T3	T1																		
HP:	AMB. 40 C	Volt:	230/460	200/400	<table border="1"> <tr> <td colspan="2">460V</td> </tr> <tr> <td>T4</td><td>T5</td><td>T6</td></tr> <tr> <td>T7</td><td>T8</td><td>T9</td></tr> <tr> <td>T10</td><td>T11</td><td>T12</td></tr> <tr> <td>T2</td><td>T3</td><td>T1</td></tr> </table>		460V		T4	T5	T6	T7	T8	T9	T10	T11	T12	T2	T3	T1
460V																				
T4	T5	T6																		
T7	T8	T9																		
T10	T11	T12																		
T2	T3	T1																		
Duty: CONT	Lbs.	Amps:			<b>MADE IN CHINA</b>															
Nominal Eff:		RPM:																		
Encl: WPI DP		SF:																		
DE/ODE Brng:		SFA:	A	A																
S/N		LRA:	A	A																
Down thrust rating:					lbs.															
Inverter Rated 10:1 VT ROTATION 																				
<b>WORLDWIDE ELECTRIC CORPORATION</b>																				

<b>Model</b>	WPEVHS10-18-215TP-10		<b>60 Hz</b>	<b>50 Hz</b>
<b>Frame</b>	215TP		<b>Amps</b>	24.4/12.2A
<b>HP</b>	10		<b>RPM</b>	1780
<b>Nom.Eff.</b>	91.7%		<b>SF</b>	1.15
<b>DE/ODE Brng</b>	7310B	6210-C3	<b>SFA</b>	28/14A
<b>Down Thrust</b>	2500 lbs		<b>LRA</b>	170/85A
				28/14A
				32/16A
				180/90A