

DATA SHEET

Premium Efficiency Motor: **WPEVHS125-18-460-405TP-16.5, 60 Hz**

WorldWide Electric Corporation

1 (800) 808-2131

Worldwideelectric.net



Document Generated: 11-May-2022
Document ID:

Customer:

| MOTOR INFORMATION | |
|-------------------------|----------------------------------|
| HP | 125 |
| RPM | 1800 |
| Phase | 3 |
| Frequency | 60 Hz |
| Voltage | 460 |
| Frame Size | 405TP |
| Enclosure | ODP - WPI |
| Degree of Protection | IP23 |
| Service Factor | 1.15 |
| Poles | 4 |
| Full Load Speed | 1785 |
| Insulation Class | F |
| Temp Rise | 80°C |
| NEMA Code Letter | F |
| Duty Cycle | S1 / Continuous |
| Slip | 0.63% |
| NEMA Design | B |
| Moment of Inertia | 37.8 lb.ft.^2 |
| Locked Rotor Time (Hot) | 49 seconds |
| Sound Pressure Level | 97 dB(A) |
| Number of Starts | 3 Cold / 2 Hot |
| Max Ambient Temperature | 40°C |
| Max Elevation | 1000 m.a.s.l (3300 f.a.s.l) |
| Mounting | V1 |
| Rotation | CCW - with Anti-Reverese Ratchet |
| Area of Classification | Safe |
| Inverter Rating | 10:1 VT |
| Standard | NEMA MG-1 |
| Approvals | CSA |

| EFFICIENCY/POWER FACTOR | | |
|-------------------------|--------|-------|
| LOAD | EFF | P. F. |
| 100% | 95.4 % | 0.88 |
| 75% | 95.4 % | 0.87 |
| 50% | 94.7 % | 0.84 |

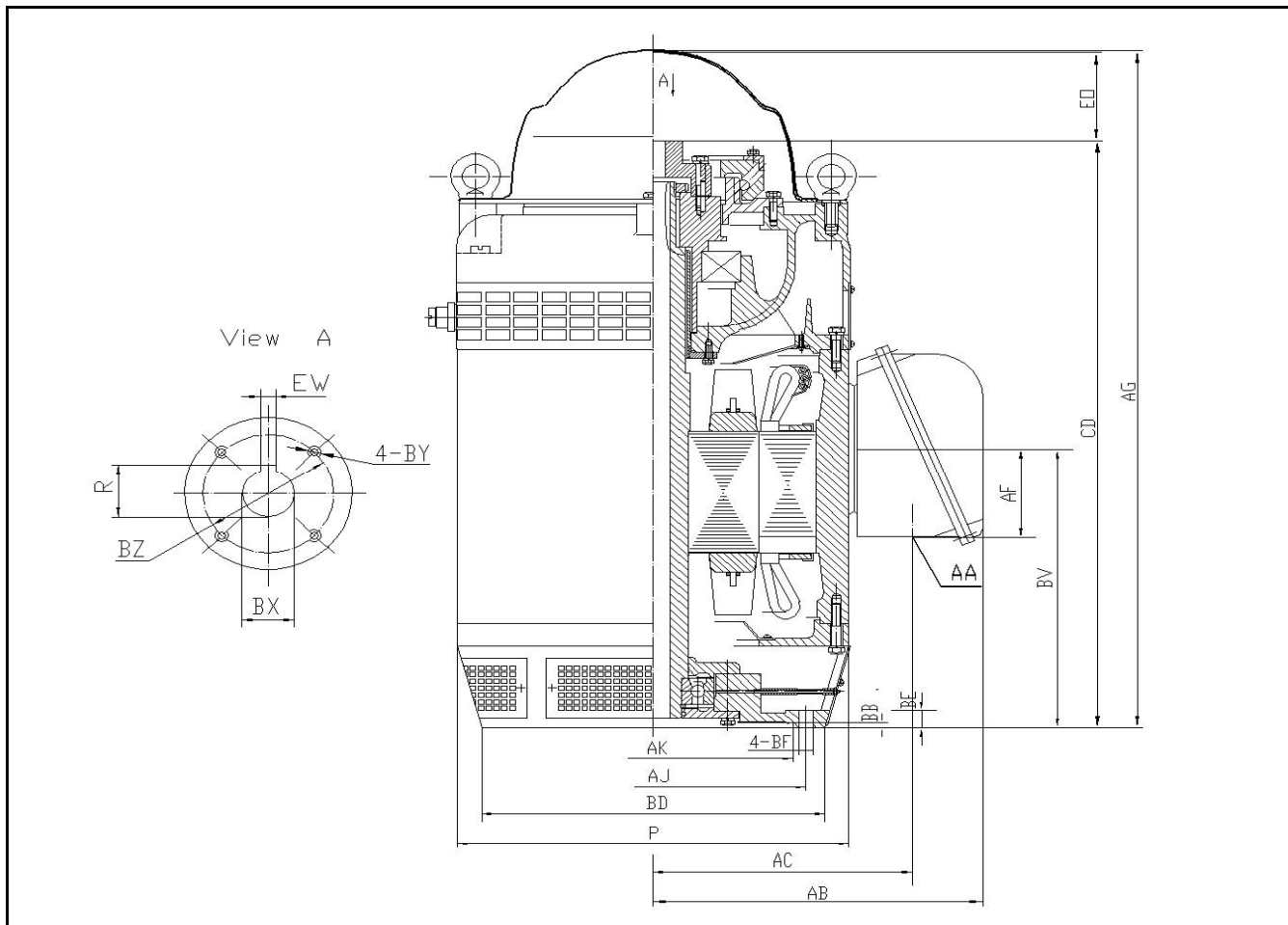
| TORQUE | | |
|------------|-------|-------|
| FULL LOAD | LRT | BDT |
| 365 lb.ft. | 209 % | 274 % |

| AMPERAGE INFORMATION | | |
|----------------------|------|--------|
| | 230V | 460V |
| Full Load Amps | -A | 139A |
| Locked Rotor Amps | -A | 812.9A |
| No Load Current | -A | 45.6A |

| BEARING INFORMATION | |
|-------------------------|------------------|
| Lower (DE) Bearing | 6317-C3 |
| Upper (ODE) Bearing | 7230B |
| DE Lubrication Type | Mobil Polyrex EM |
| ODE Lubrication Type | ISO VC 32 Oil |
| DE Regreasing Interval | 3800 Hours |
| ODE Regreasing Interval | 3800 Hours |
| Lubrication Quantity | 70g / 4.76qt |

| ADDITIONAL DATA | |
|--------------------|-----------------|
| Down Thrust | 6700 lbs |
| Shaft Material | 45 Carbon Steel |
| Connection Diagram | 12 Lead Δ |
| Approximate Weight | 1505 lbs. |

405TP - 16.5 BD



DIMENSIONS - INCHES

| COUPLING - STANDARD BORE | | | | |
|--------------------------|-----|-------|--------|-------|
| BX | EW | R | BY | BZ |
| 1-1/2 | 3/8 | 1.668 | 1/4-20 | 2-1/8 |

| OVERALL | | | |
|---------|------|------|-------|
| P | AB | AG | BV |
| 21 | 17.3 | 42.2 | 19.31 |

| BASE | | | | | | |
|-------|------|------|------|----------|------|------|
| AJ | AK | BB | BD | BF | EO | BE |
| 14.75 | 13.5 | 0.25 | 16.5 | 4 * 0.69 | 4.56 | 0.99 |

| CD | AC | AF | AA |
|-------|-------|------|-------|
| 36.94 | 13.68 | 5.83 | 3 NPT |

PERFORMANCE CURVES

WorldWide Electric Corporation

1 (800) 808-2131

Worldwideelectric.net



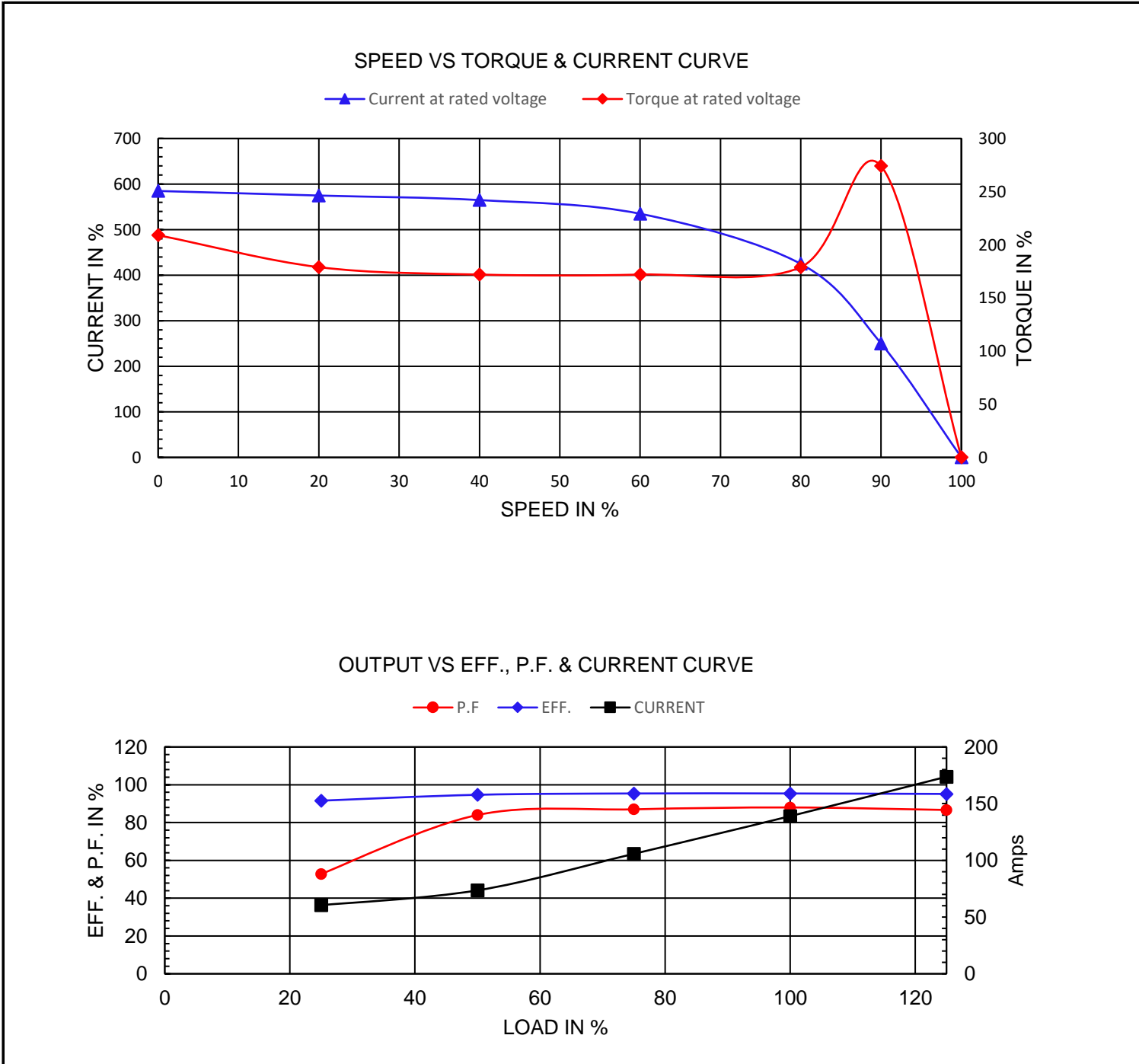
Premium Efficiency Motor:

WPEVHS125-18-460-405TP-16.5

Document Generated: 25-Jan-2023
Document ID:

Customer:

| | | | | | |
|-----------------------|-------------------------|------------|------|--------------|------|
| Motor Type | WPEVHS | | | | |
| Output Rating (HP) | 125 | FL Speed | 1785 | | |
| Full Load Torque | 365 lb.ft | LRT (%FLT) | 209 | 460 volt FLA | 139A |
| Rotor Wk ² | 95.4 lb-ft ² | BDT (%FLT) | 274 | 230 volt FLA | -A |



NAMEPLATE / WIRING

Premium Efficiency Motor: **WPEVHS125-18-460-405TP-16.5**

WorldWide Electric Corporation

1 (800) 808-2131

Worldwideelectric.net



Document Generated: 11-May-2022
Document ID:

Customer:

SAMPLE NAMEPLATE DATA

| | | | | | | | |
|---------------------------------------|---------|---|-------|-------|-------------------------------|--|------|
| | | PREMIUM EFFICIENCY THREE PHASE VHS MOTOR | | | Energy Verified 603767 | CC326B | |
| Model: | | | | | | | |
| Frame: | Ins Cl: | F | Hz: | 60 | 50 | 460V T4 T9 T6 T8 T5 T7 T10 T11 T12 T2 T3 T1 MADE IN CHINA | |
| HP: | AMB. | 40 C | Volt: | 460 | 400 | | |
| Duty: | CONT | | Lbs. | Amps: | | | |
| Nominal Eff: | | | RPM: | | | | |
| Encl: | WPI DP | | SF: | | | | |
| DE/ODE Brng: | | | SFA: | A | A | | |
| S/N | | | LRA: | A | A | | |
| Down thrust rating: | | | | | | | lbs. |
| Inverter Rated 10:1 VT | | | | | | | |
| ROTATION | | | | | | | |
| WORLDWIDE ELECTRIC CORPORATION | | | | | | | |

| Model | WPEVHS125-18-460-405TP-16.5 | | 60 Hz | 50 Hz |
|-------------|-----------------------------|-------|-------|--------|
| Frame | 405TP | | Amps | 139A |
| HP | 125 | | RPM | 1785 |
| Nom.Eff. | 95.4% | | SF | 1.15 |
| DE/ODE Brng | 6317-C3 | 7230B | SFA | 162A |
| Down Thrust | 6700 lbs | | LRA | 812.9A |
| | | | | 162A |
| | | | | 1485 |
| | | | | 1.15 |
| | | | | 190A |
| | | | | 1125A |