

# DATA SHEET

Premium Efficiency Motor: **WPEVHS15-18-254TP-10,**

**60 Hz**

WorldWide Electric Corporation

1 (800) 808-2131

Worldwideelectric.net



Document Generated: 11-May-2022  
Document ID:

Customer:

## MOTOR INFORMATION

|                         |                                  |
|-------------------------|----------------------------------|
| HP                      | 15                               |
| RPM                     | 1800                             |
| Phase                   | 3                                |
| Frequency               | 60 Hz                            |
| Voltage                 | 230/460                          |
| Frame Size              | 254TP                            |
| Enclosure               | ODP - WPI                        |
| Degree of Protection    | IP23                             |
| Service Factor          | 1.15                             |
| Poles                   | 4                                |
| Full Load Speed         | 1785                             |
| Insulation Class        | F                                |
| Temp Rise               | 80°C                             |
| NEMA Code Letter        | G                                |
| Duty Cycle              | S1 / Continuous                  |
| Slip                    | 0.94%                            |
| NEMA Design             | B                                |
| Moment of Inertia       | 4.66 lb.ft.^2                    |
| Locked Rotor Time (Hot) | 102 seconds                      |
| Sound Pressure Level    | 88 dB(A)                         |
| Number of Starts        | 3 Cold / 2 Hot                   |
| Max Ambient Temperature | 40°C                             |
| Max Elevation           | 1000 m.a.s.l (3300 f.a.s.l)      |
| Mounting                | V1                               |
| Rotation                | CCW - with Anti-Reverese Ratchet |
| Area of Classification  | Safe                             |
| Inverter Rating         | 10:1 VT                          |
| Standard                | NEMA MG-1                        |
| Approvals               | CSA                              |

## EFFICIENCY/POWER FACTOR

| LOAD | EFF    | P. F. |
|------|--------|-------|
| 100% | 93.0 % | 0.86  |
| 75%  | 92.5 % | 0.81  |
| 50%  | 91.1 % | 0.71  |

## TORQUE

| FULL LOAD | LRT   | BDT   |
|-----------|-------|-------|
| 44 lb.ft. | 201 % | 262 % |

## AMPERAGE INFORMATION

|                   | 230V  | 460V   |
|-------------------|-------|--------|
| Full Load Amps    | 34.6A | 17.3A  |
| Locked Rotor Amps | 225A  | 112.5A |
| No Load Current   | 12.6A | 6.3A   |

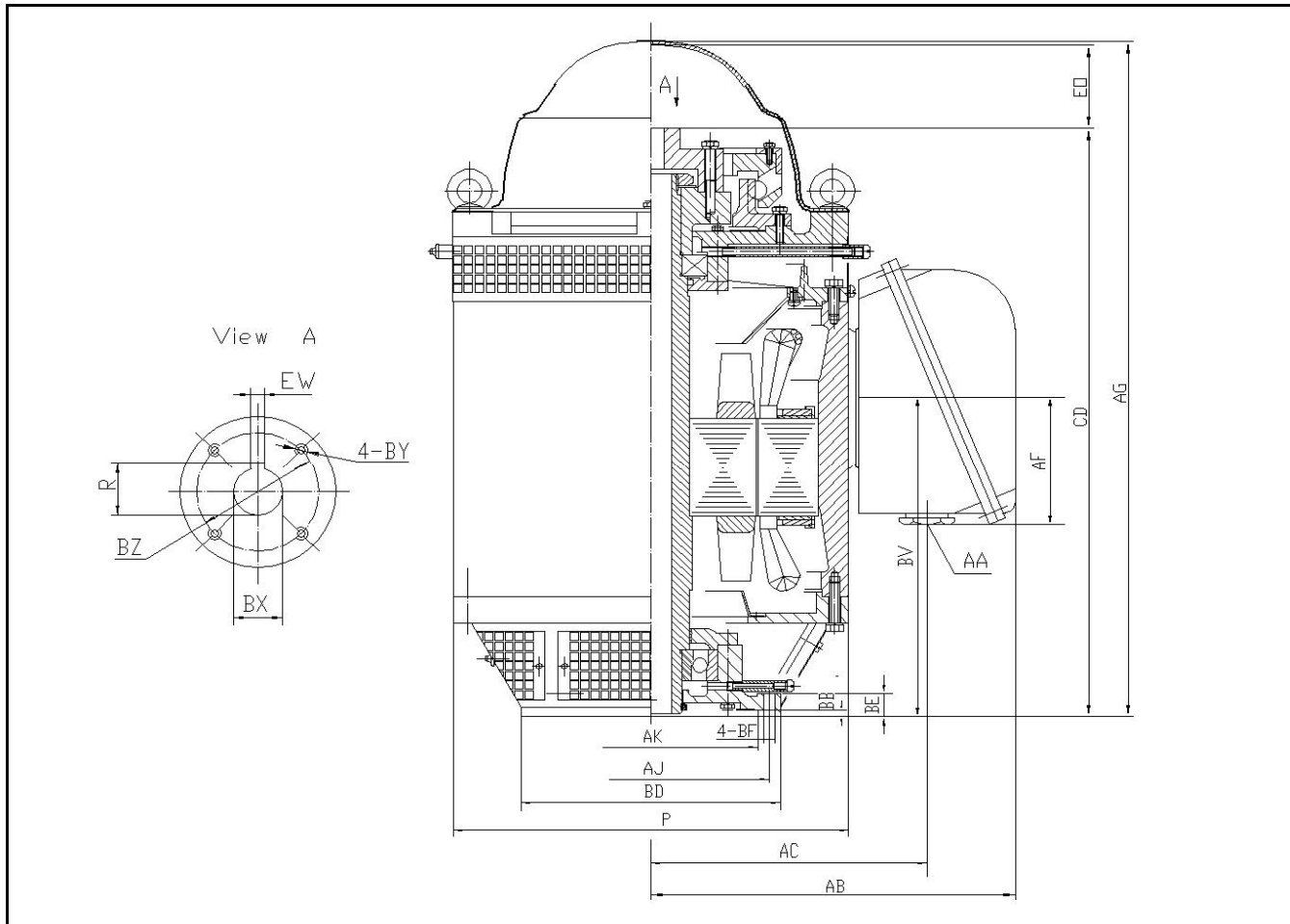
## BEARING INFORMATION

|                         |                  |
|-------------------------|------------------|
| Lower (DE) Bearing      | 7312B            |
| Upper (ODE) Bearing     | 6212-C3          |
| DE Lubrication Type     | Mobil Polyrex EM |
| ODE Lubrication Type    | Mobil Polyrex EM |
| DE Regreasing Interval  | 3800 Hours       |
| ODE Regreasing Interval | 3800 Hours       |
| Lubrication Quantity    | 30g / 60g        |

## ADDITIONAL DATA

|                    |                 |
|--------------------|-----------------|
| Down Thrust        | 3200 lbs        |
| Shaft Material     | 45 Carbon Steel |
| Connection Diagram | 12 Lead 2Δ/Δ    |
| Approximate Weight | 514 lbs.        |

**254TP - 10 BD**



**DIMENSIONS - INCHES**

| COUPLING - STANDARD BORE |     |      |       |       |
|--------------------------|-----|------|-------|-------|
| BX                       | EW  | R    | BY    | BZ    |
| 1                        | 1/4 | 1.13 | 10-32 | 1-3/8 |

| OVERALL |       |      |       |
|---------|-------|------|-------|
| P       | AB    | AG   | BV    |
| 15.24   | 14.39 | 26.8 | 11.82 |

| BASE  |      |      |    |          |      |      |
|-------|------|------|----|----------|------|------|
| AJ    | AK   | BB   | BD | BF       | EO   | BE   |
| 9.125 | 8.25 | 0.25 | 10 | 4 * 0.44 | 3.22 | 0.79 |

| CD    | AC   | AF   | AA    |
|-------|------|------|-------|
| 23.38 | 10.6 | 5.83 | 3 NPT |

# PERFORMANCE CURVES

WorldWide Electric Corporation

1 (800) 808-2131

Worldwideelectric.net



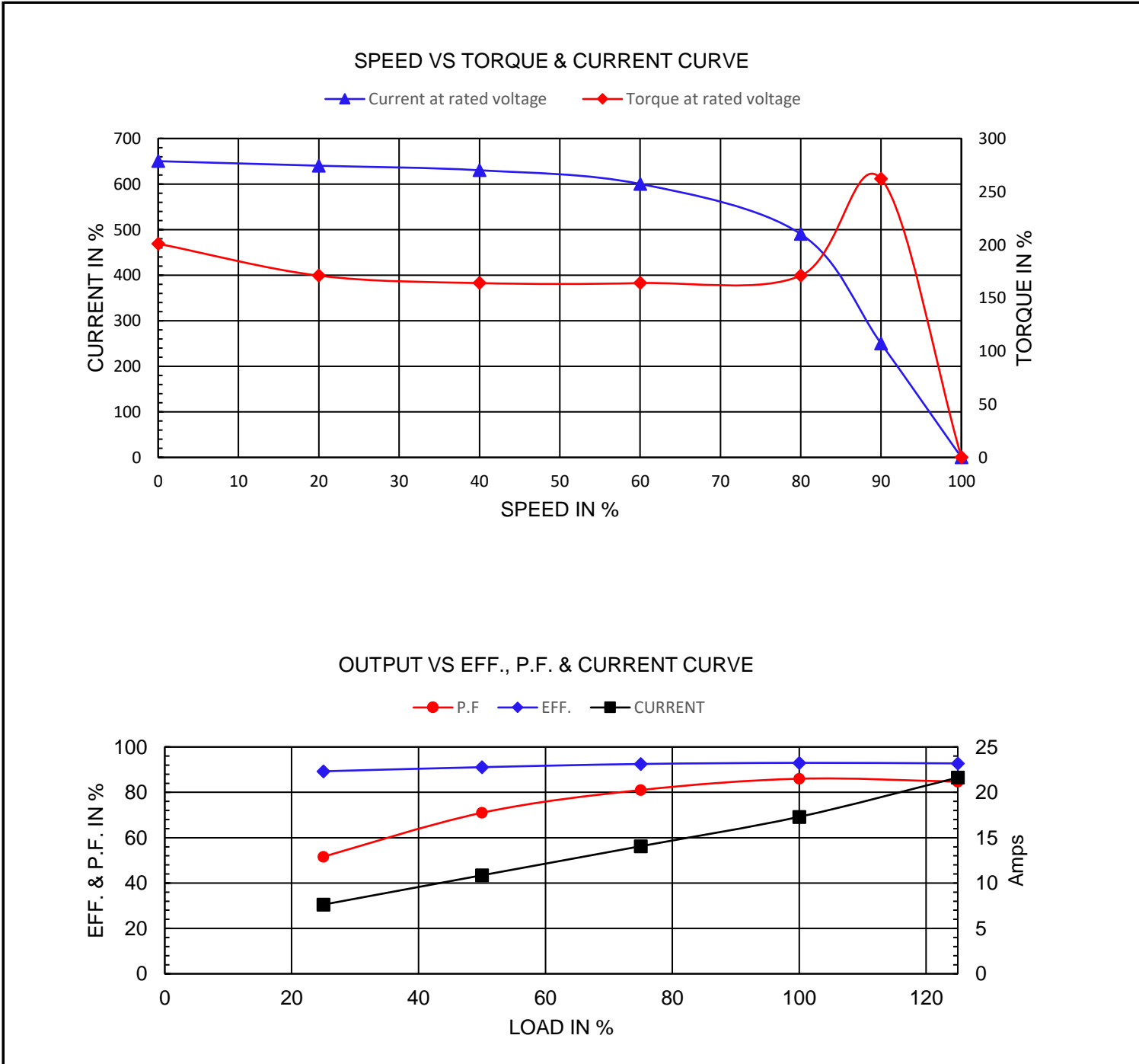
Premium Efficiency Motor:

**WPEVHS15-18-254TP-10**

Document Generated: 25-Jan-2023  
Document ID:

Customer:

|                       |                       |            |      |              |       |
|-----------------------|-----------------------|------------|------|--------------|-------|
| Motor Type            | WPEVHS                |            |      |              |       |
| Output Rating (HP)    | 15                    | FL Speed   | 1785 |              |       |
| Full Load Torque      | 44 lb.ft              | LRT (%FLT) | 201  | 460 volt FLA | 17.3A |
| Rotor Wk <sup>2</sup> | 93 lb-ft <sup>2</sup> | BDT (%FLT) | 262  | 230 volt FLA | 34.6A |



# NAMEPLATE / WIRING

Premium Efficiency Motor: **WPEVHS15-18-254TP-10**

WorldWide Electric Corporation

1 (800) 808-2131


Worldwideelectric.net



Document Generated: 11-May-2022  
Document ID:

Customer:

## SAMPLE NAMEPLATE DATA

| Model:  |           | PREMIUM EFFICIENCY<br>THREE PHASE VHS MOTOR |         |         | C SP <sup>®</sup> US<br>Energy Verified<br>603767   |  | CC326B |  |      |  |    |    |    |    |    |    |     |     |     |    |    |    |
|---|-----------|---|---------|---------|---|--|--------|--|------|--|----|----|----|----|----|----|-----|-----|-----|----|----|----|
| Frame:  | Ins Cl: F | Hz:   | 60      | 50      | <table border="1"> <tr> <td colspan="2">230V</td> </tr> <tr> <td>T4</td><td>T9</td><td>T6</td></tr> <tr> <td>T8</td><td>T5</td><td>T7</td></tr> <tr> <td>T10</td><td>T11</td><td>T12</td></tr> <tr> <td>T2</td><td>T3</td><td>T1</td></tr> </table> |  |        |  | 230V |  | T4 | T9 | T6 | T8 | T5 | T7 | T10 | T11 | T12 | T2 | T3 | T1 |
| 230V  |           |   |         |         |   |  |        |  |      |  |    |    |    |    |    |    |     |     |     |    |    |    |
| T4  | T9        | T6  |         |         |   |  |        |  |      |  |    |    |    |    |    |    |     |     |     |    |    |    |
| T8  | T5        | T7  |         |         |   |  |        |  |      |  |    |    |    |    |    |    |     |     |     |    |    |    |
| T10   | T11       | T12   |         |         |   |  |        |  |      |  |    |    |    |    |    |    |     |     |     |    |    |    |
| T2  | T3        | T1  |         |         |   |  |        |  |      |  |    |    |    |    |    |    |     |     |     |    |    |    |
| HP:   | AMB. 40 C | Volt:                                       | 230/460 | 200/400 | <table border="1"> <tr> <td colspan="2">460V</td> </tr> <tr> <td>T4</td><td>T5</td><td>T6</td></tr> <tr> <td>T7</td><td>T8</td><td>T9</td></tr> <tr> <td>T10</td><td>T11</td><td>T12</td></tr> <tr> <td>T2</td><td>T3</td><td>T1</td></tr> </table> |  |        |  | 460V |  | T4 | T5 | T6 | T7 | T8 | T9 | T10 | T11 | T12 | T2 | T3 | T1 |
| 460V  |           |   |         |         |   |  |        |  |      |  |    |    |    |    |    |    |     |     |     |    |    |    |
| T4  | T5        | T6  |         |         |   |  |        |  |      |  |    |    |    |    |    |    |     |     |     |    |    |    |
| T7  | T8        | T9  |         |         |   |  |        |  |      |  |    |    |    |    |    |    |     |     |     |    |    |    |
| T10   | T11       | T12   |         |         |   |  |        |  |      |  |    |    |    |    |    |    |     |     |     |    |    |    |
| T2  | T3        | T1  |         |         |   |  |        |  |      |  |    |    |    |    |    |    |     |     |     |    |    |    |
| Duty: CONT  | Lbs.      | Amps:                                       |         |         | MADE IN CHINA   |  |        |  |      |  |    |    |    |    |    |    |     |     |     |    |    |    |
| Nominal Eff:  |           | RPM:  |         |         |   |  |        |  |      |  |    |    |    |    |    |    |     |     |     |    |    |    |
| Encl: WPI DP  |           | SF:   |         |         |   |  |        |  |      |  |    |    |    |    |    |    |     |     |     |    |    |    |
| DE/ODE Brng:  |           | SFA:  | A       | A       |   |  |        |  |      |  |    |    |    |    |    |    |     |     |     |    |    |    |
| S/N   |           | LRA:  | A       | A       |   |  |        |  |      |  |    |    |    |    |    |    |     |     |     |    |    |    |
| Down thrust rating:   |           |   |         | lbs.    |   |  |        |  |      |  |    |    |    |    |    |    |     |     |     |    |    |    |
| Inverter Rated 10:1 VT  |           |   |         |         |   |  |        |  |      |  |    |    |    |    |    |    |     |     |     |    |    |    |
| ROTATION  |           |   |         |         |   |  |        |  |      |  |    |    |    |    |    |    |     |     |     |    |    |    |
| WORLDWIDE ELECTRIC CORPORATION  |           |   |         |         |   |  |        |  |      |  |    |    |    |    |    |    |     |     |     |    |    |    |

| Model       | WPEVHS15-18-254TP-10 |         | 60 Hz | 50 Hz      |
|-------------|----------------------|---------|-------|------------|
| Frame       | 254TP                |         | Amps  | 34.6/17.3A |
| HP          | 15                   |         | RPM   | 1785       |
| Nom.Eff.    | 93.0%                |         | SF    | 1.15       |
| DE/ODE Brng | 7312B                | 6212-C3 | SFA   | 40/20A     |
| Down Thrust | 3200 lbs             |         | LRA   | 225/112.5A |
|             |                      |         |       | 40/20A     |
|             |                      |         |       | 1485       |
|             |                      |         |       | 1.15       |
|             |                      |         |       | 46/23A     |
|             |                      |         |       | 296/148A   |