

DATA SHEET

Premium Efficiency Motor: **WPEVHS20-18-256TP-16.5,**

60 Hz

WorldWide Electric Corporation

1 (800) 808-2131

Worldwideelectric.net



Document Generated: 21-Jun-2023
Document ID:

Customer:

MOTOR INFORMATION	
HP	20
RPM	1800
Phase	3
Frequency	60 Hz
Voltage	230/460
Frame Size	256TP
Enclosure	ODP - WPI
Degree of Protection	IP23
Service Factor	1.15
Poles	4
Full Load Speed	1785
Insulation Class	F
Temp Rise	80°C
NEMA Code Letter	G
Duty Cycle	S1 / Continuous
Slip	1.08%
NEMA Design	B
Moment of Inertia	4.66 lb.ft.^2
Locked Rotor Time (Hot)	68 seconds
Sound Pressure Level	88 dB(A)
Number of Starts	3 Cold / 2 Hot
Max Ambient Temperature	40°C
Max Elevation	1000 m.a.s.l (3300 f.a.s.l)
Mounting	V1
Rotation	CCW - with Anti-Reverese Ratchet
Area of Classification	Safe
Inverter Rating	10:1 VT
Standard	NEMA MG-1
Approvals	CSA

EFFICIENCY/POWER FACTOR		
LOAD	EFF	P. F.
100%	93.0 %	0.86
75%	92.8 %	0.82
50%	91.6 %	0.72

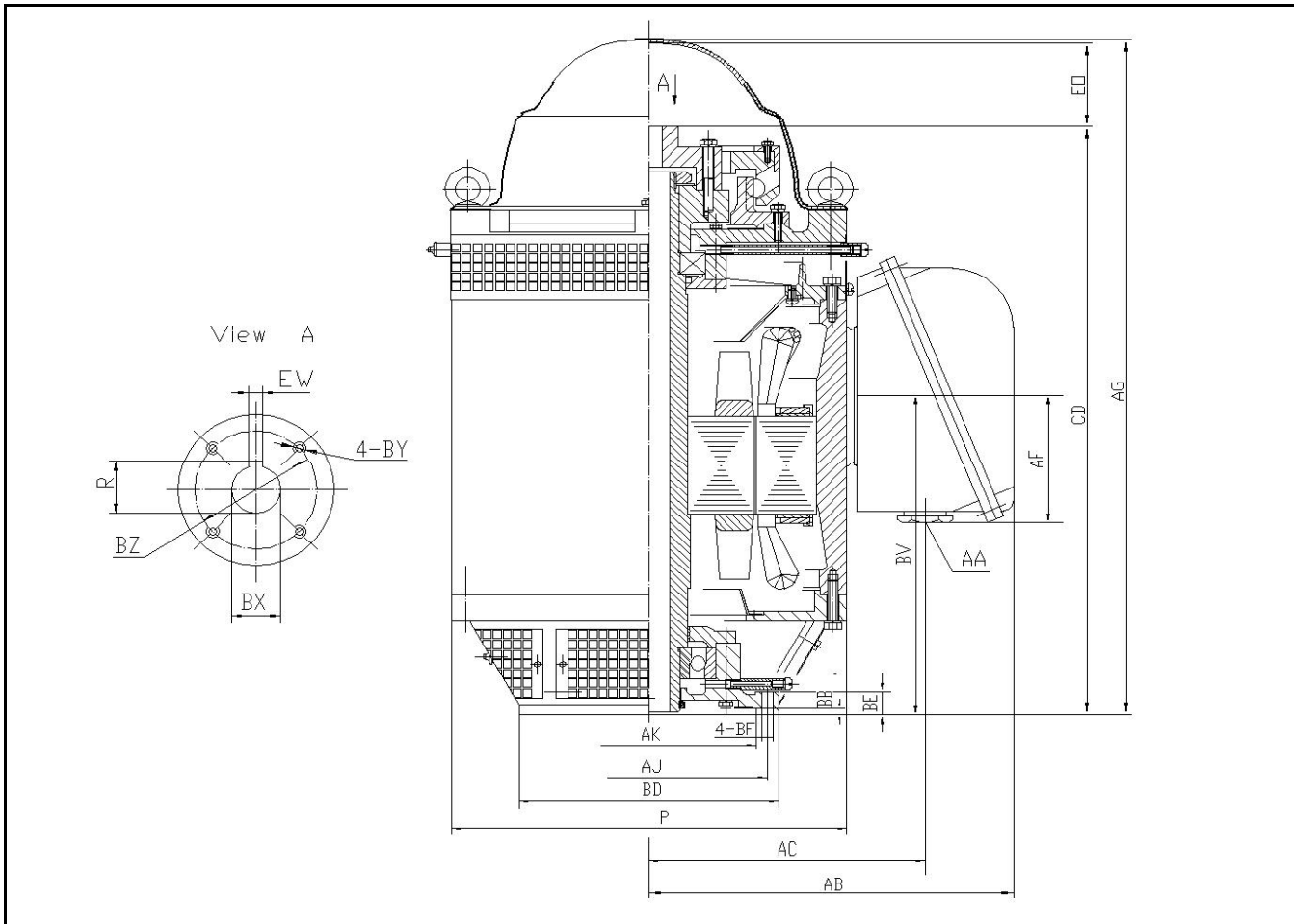
TORQUE		
FULL LOAD	LRT	BDT
58 lb.ft.	198 %	254 %

AMPERAGE INFORMATION		
	230V	460V
Full Load Amps	47A	23.5A
Locked Rotor Amps	285.2A	142.6A
No Load Current	16.8A	8.4A

BEARING INFORMATION	
Lower (DE) Bearing	7312B
Upper (ODE) Bearing	6212-C3
DE Lubrication Type	Mobil Polyrex EM
ODE Lubrication Type	Mobil Polyrex EM
DE Regreasing Interval	3800 Hours
ODE Regreasing Interval	3800 Hours
Lubrication Quantity	30g / 60g

ADDITIONAL DATA	
Down Thrust	3200 lbs
Shaft Material	45 Carbon Steel
Connection Diagram	12 Lead 2Δ/Δ
Approximate Weight	527 lbs.

256TP - 16.5 BD



DIMENSIONS - INCHES

COUPLING - STANDARD BORE				
BX	EW	R	BY	BZ
1	1/4	1.13	10-32	1-3/8

OVERALL			
P	AB	AG	BV
15.24	14.39	26.8	11.82

BASE						
AJ	AK	BB	BD	BF	EO	BE
14.75	13.5	0.25	16.5	4 * 0.69	3.22	0.79

CD	AC	AF	AA
23.38	10.6	5.83	3 NPT

PERFORMANCE CURVES

Premium Efficiency Motor:

WPEVHS20-18-256TP-16.5

WorldWide Electric Corporation

1 (800) 808-2131

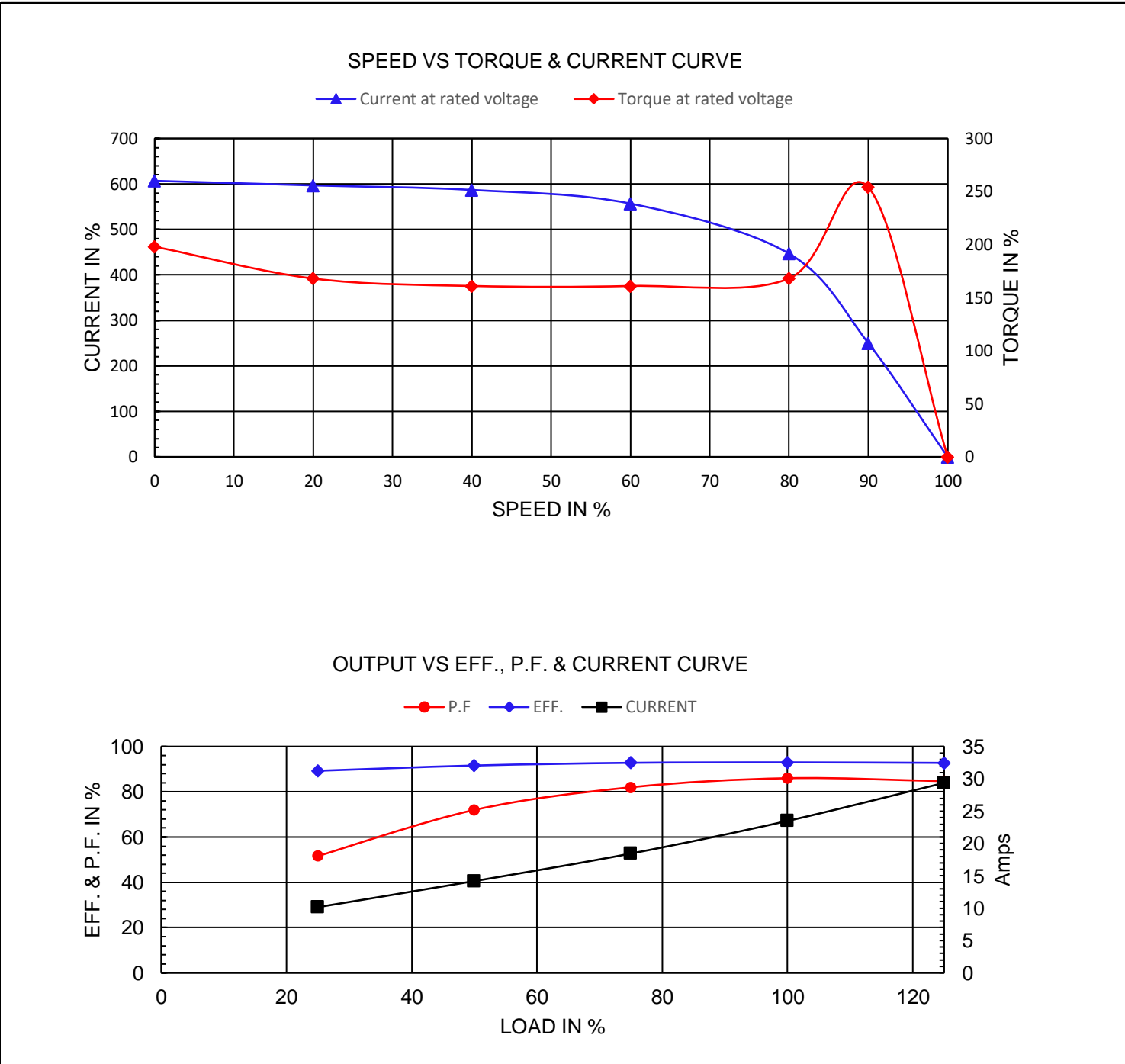
Worldwideelectric.net



Document Generated: 21-Jun-2023
Document ID:

Customer:

Motor Type	WPEVHS				
Output Rating (HP)	20		FL Speed	1785	
Full Load Torque	58 lb.ft		LRT (%FLT)	198	460 volt FLA 23.5A
Rotor Wk ²	93 lb-ft ²		BDT (%FLT)	254	230 volt FLA 47A



NAMEPLATE / WIRING

WorldWide Electric Corporation

1 (800) 808-2131

Worldwideelectric.net



Premium Efficiency Motor: **WPEVHS20-18-256TP-16.5**

Document Generated: 21-Jun-2023
Document ID:

Customer:

SAMPLE NAMEPLATE DATA

Model:		PREMIUM EFFICIENCY THREE PHASE VHS MOTOR			C SP [®] US Energy Verified 603767		CC326B																			
Frame:	Ins Cl: F	Hz:	60	50	<table border="1"> <tr> <th colspan="6">230V</th> </tr> <tr> <td>T4</td><td>T9</td><td>T6</td><td>T8</td><td>T5</td><td>T7</td> </tr> <tr> <td>T10</td><td>T11</td><td>T12</td><td>T2</td><td>T3</td><td>T1</td> </tr> </table>				230V						T4	T9	T6	T8	T5	T7	T10	T11	T12	T2	T3	T1
230V																										
T4	T9	T6	T8	T5	T7																					
T10	T11	T12	T2	T3	T1																					
HP:	AMB. 40 C	Volt:	230/460	200/400	<table border="1"> <tr> <th colspan="6">460V</th> </tr> <tr> <td>T4</td><td>T5</td><td>T6</td><td>T7</td><td>T8</td><td>T9</td> </tr> <tr> <td>T10</td><td>T11</td><td>T12</td><td>T2</td><td>T3</td><td>T1</td> </tr> </table>				460V						T4	T5	T6	T7	T8	T9	T10	T11	T12	T2	T3	T1
460V																										
T4	T5	T6	T7	T8	T9																					
T10	T11	T12	T2	T3	T1																					
Duty: CONT	Lbs.	Amps:			MADE IN CHINA																					
Nominal Eff:		RPM:																								
Encl: WPI DP		SF:																								
DE/ODE Brng:		SFA:	A	A																						
S/N		LRA:	A	A																						
Down thrust rating:				lbs.																						
Inverter Rated 10:1 VT																										
ROTATION																										

Model	WPEVHS20-18-256TP-16.5		60 Hz	50 Hz
Frame	256TP		Amps	47.0/23.5A
HP	20		RPM	1785
Nom.Eff.	93.0%		SF	1.15
DE/ODE Brng	7312B	6212-C3	SFA	54/27A
Down Thrust	3200 lbs		LRA	285.2/142.6A
				362/181A