

# DATA SHEET

Premium Efficiency Motor: **WPEVHS200-18-460-445TP-DB-20, 60 Hz**

WorldWide Electric Corporation

1 (800) 808-2131

Worldwideelectric.net



Document Generated: 11-May-2022  
Document ID:

Customer:

MOTOR INFORMATION	
HP	200
RPM	1800
Phase	3
Frequency	60 Hz
Voltage	460
Frame Size	445TP
Enclosure	ODP - WPI
Degree of Protection	IP23
Service Factor	1.15
Poles	4
Full Load Speed	1788
Insulation Class	F
Temp Rise	80°C
NEMA Code Letter	G
Duty Cycle	S1 / Continuous
Slip	0.67%
NEMA Design	B
Moment of Inertia	65.2 lb.ft.^2
Locked Rotor Time (Hot)	38 seconds
Sound Pressure Level	100 dB(A)
Number of Starts	3 Cold / 2 Hot
Max Ambient Temperature	40°C
Max Elevation	1000 m.a.s.l (3300 f.a.s.l)
Mounting	V1
Rotation	CCW - with Anti-Reverese Ratchet
Area of Classification	Safe
Inverter Rating	10:1 VT
Standard	NEMA MG-1
Approvals	CSA

EFFICIENCY/POWER FACTOR		
LOAD	EFF	P. F.
100%	95.8 %	0.88
75%	94.8 %	0.88
50%	93.7 %	0.83

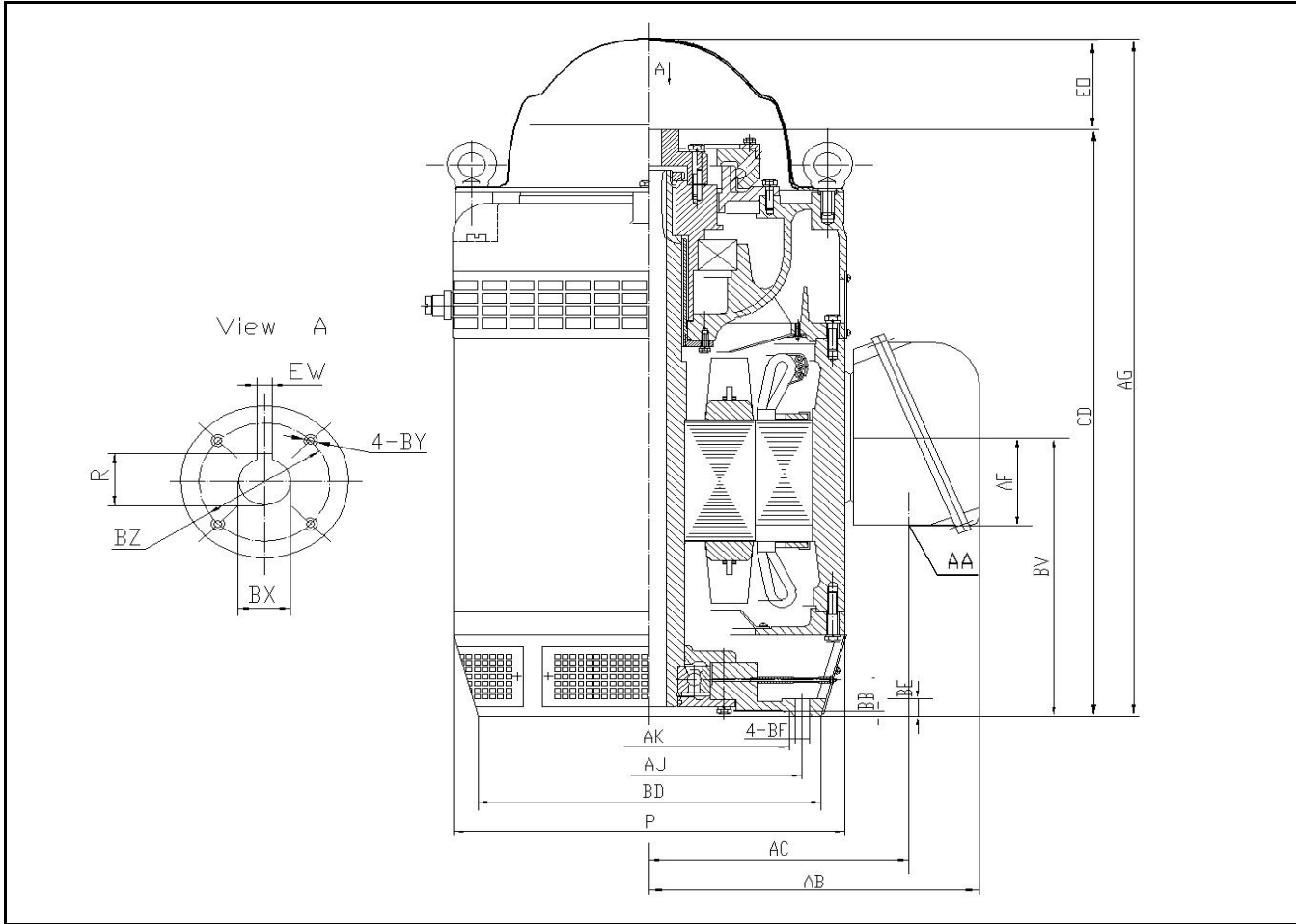
TORQUE		
FULL LOAD	LRT	BDT
584 lb.ft.	166 %	220 %

AMPERAGE INFORMATION		
	230V	460V
Full Load Amps	-A	221A
Locked Rotor Amps	-A	1462A
No Load Current	-A	58.8A

BEARING INFORMATION	
Lower (DE) Bearing	6318-C3
Upper (ODE) Bearing	7232B/DT
DE Lubrication Type	Mobil Polyrex EM
ODE Lubrication Type	ISO VC 32 Oil
DE Regreasing Interval	3800 Hours
ODE Regreasing Interval	3800 Hours
Lubrication Quantity	95g / 5.61qt

ADDITIONAL DATA	
Down Thrust	14400 lbs
Shaft Material	45 Carbon Steel
Connection Diagram	12 Lead Δ
Approximate Weight	2099 lbs.

**445TP - 20 BD (200-250HP)**



**DIMENSIONS - INCHES**

COUPLING - STANDARD BORE				
BX	EW	R	BY	BZ
1-11/16	3/8	1.854	1/4-20	2-1/2

OVERALL			
P	AB	AG	BV
23.3	20.7	50.18	22.46

BASE						
AJ	AK	BB	BD	BF	EO	BE
14.75	13.5	0.25	20	4 * 0.69	5.4	1.18

CD	AC	AF	AA
44.78	16.18	7.56	3 NPT

# PERFORMANCE CURVES

WorldWide Electric Corporation

1 (800) 808-2131

Worldwideelectric.net



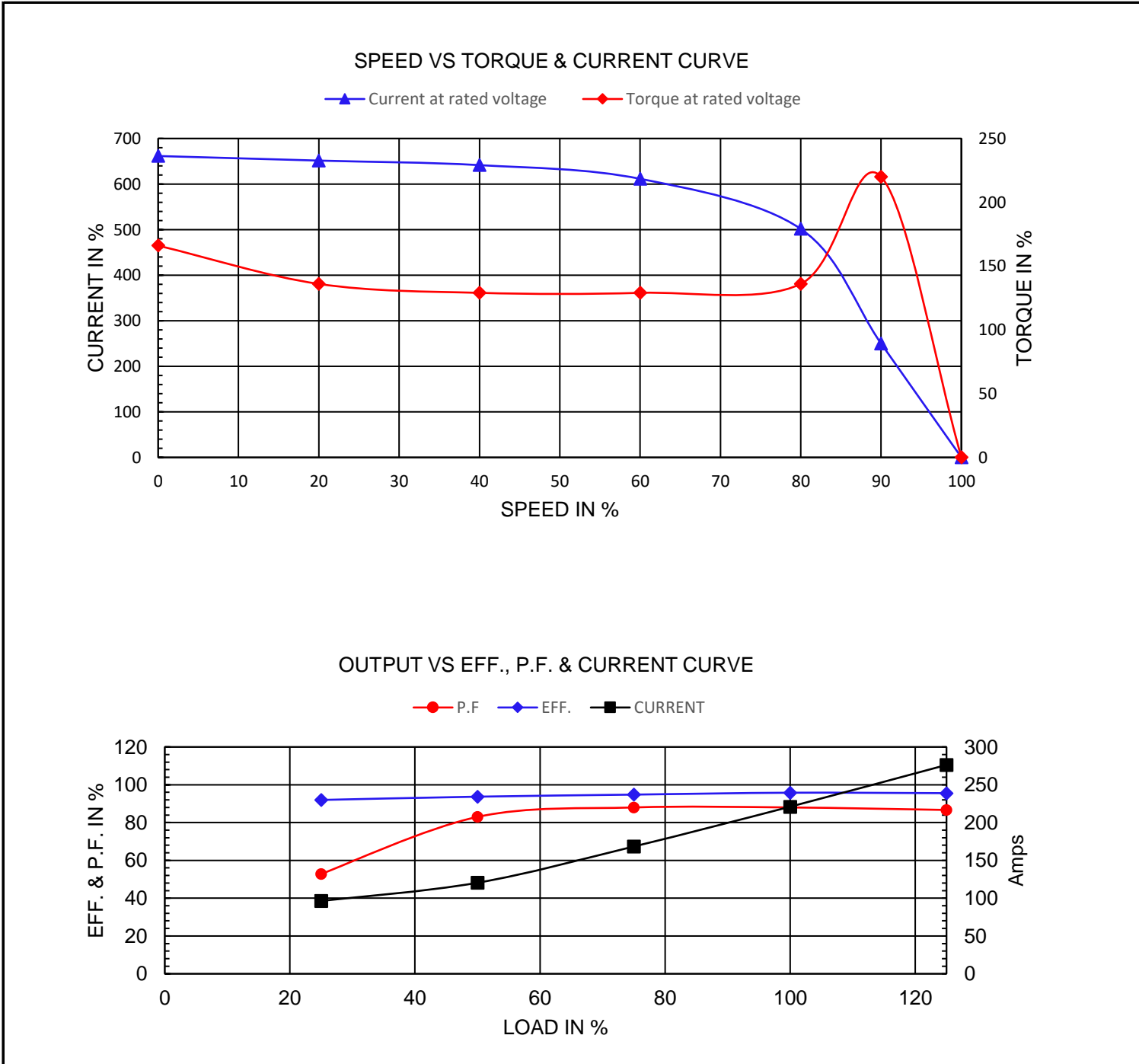
Premium Efficiency Motor:

**WPEVHS200-18-460-445TP-DB-20**

Document Generated: 25-Jan-2023  
Document ID:

Customer:

Motor Type	WPEVHS			FL Speed	1788	460 volt FLA	221A
Output Rating (HP)	200			LRT (%FLT)	166	230 volt FLA	-A
Full Load Torque	584	lb.ft		BDT (%FLT)	220		
Rotor Wk <sup>2</sup>	95.8	lb-ft <sup>2</sup>					



# NAMEPLATE / WIRING

WorldWide Electric Corporation

1 (800) 808-2131

Worldwideelectric.net






Premium Efficiency Motor: **WPEVHS200-18-460-445TP-DB-20**

Document Generated: 11-May-2022  
Document ID:

Customer:

## SAMPLE NAMEPLATE DATA

		<b>PREMIUM EFFICIENCY THREE PHASE VHS MOTOR</b>				<b>CC326B</b>																														
Model:																																				
Frame:	Ins Cl: F	Hz:	60	50	<table border="1"> <tr> <td colspan="6">460V</td> </tr> <tr> <td>T4</td><td>T9</td><td>T6</td><td colspan="3"></td> </tr> <tr> <td>T8</td><td>T5</td><td>T7</td><td colspan="3"></td> </tr> <tr> <td>T10</td><td>T11</td><td>T12</td><td colspan="3"></td> </tr> <tr> <td>T2</td><td>T3</td><td>T1</td><td colspan="3"></td> </tr> </table>		460V						T4	T9	T6				T8	T5	T7				T10	T11	T12				T2	T3	T1			
460V																																				
T4	T9	T6																																		
T8	T5	T7																																		
T10	T11	T12																																		
T2	T3	T1																																		
HP:	AMB. 40 C	Volt:	460	400																																
Duty: CONT	Lbs.	Amps:																																		
Nominal Eff:		RPM:																																		
Encl: WPI DP		SF:																																		
DE/ODE Brng:		SFA:	A	A																																
S/N		LRA:	A	A																																
Down thrust rating:				lbs.																																
Inverter Rated 10:1 VT ROTATION 																																				
<b>WORLDWIDE ELECTRIC CORPORATION</b>																																				

Model	WPEVHS200-18-460-445TP-DB-20		60 Hz	50 Hz
Frame	445TP		Amps	221A
HP	200		RPM	1788
Nom.Eff.	95.8%		SF	1.15
DE/ODE Brng	6318-C3	7232B/DT	SFA	255A
Down Thrust	14400 lbs	LRA	1462A	2221A