

DATA SHEET

Premium Efficiency Motor: **WPEVHS25-18-284TP-12,**

60 Hz

WorldWide Electric Corporation

1 (800) 808-2131

Worldwideelectric.net



Document Generated: 11-May-2022
Document ID:

Customer:

MOTOR INFORMATION	
HP	25
RPM	1800
Phase	3
Frequency	60 Hz
Voltage	230/460
Frame Size	284TP
Enclosure	ODP - WPI
Degree of Protection	IP23
Service Factor	1.15
Poles	4
Full Load Speed	1785
Insulation Class	F
Temp Rise	80°C
NEMA Code Letter	G
Duty Cycle	S1 / Continuous
Slip	0.96%
NEMA Design	B
Moment of Inertia	5.99 lb.ft.^2
Locked Rotor Time (Hot)	79 seconds
Sound Pressure Level	88 dB(A)
Number of Starts	3 Cold / 2 Hot
Max Ambient Temperature	40°C
Max Elevation	1000 m.a.s.l (3300 f.a.s.l)
Mounting	V1
Rotation	CCW - with Anti-Reverese Ratchet
Area of Classification	Safe
Inverter Rating	10:1 VT
Standard	NEMA MG-1
Approvals	CSA

EFFICIENCY/POWER FACTOR		
LOAD	EFF	P. F.
100%	93.6 %	0.86
75%	93.2 %	0.82
50%	91.9 %	0.72

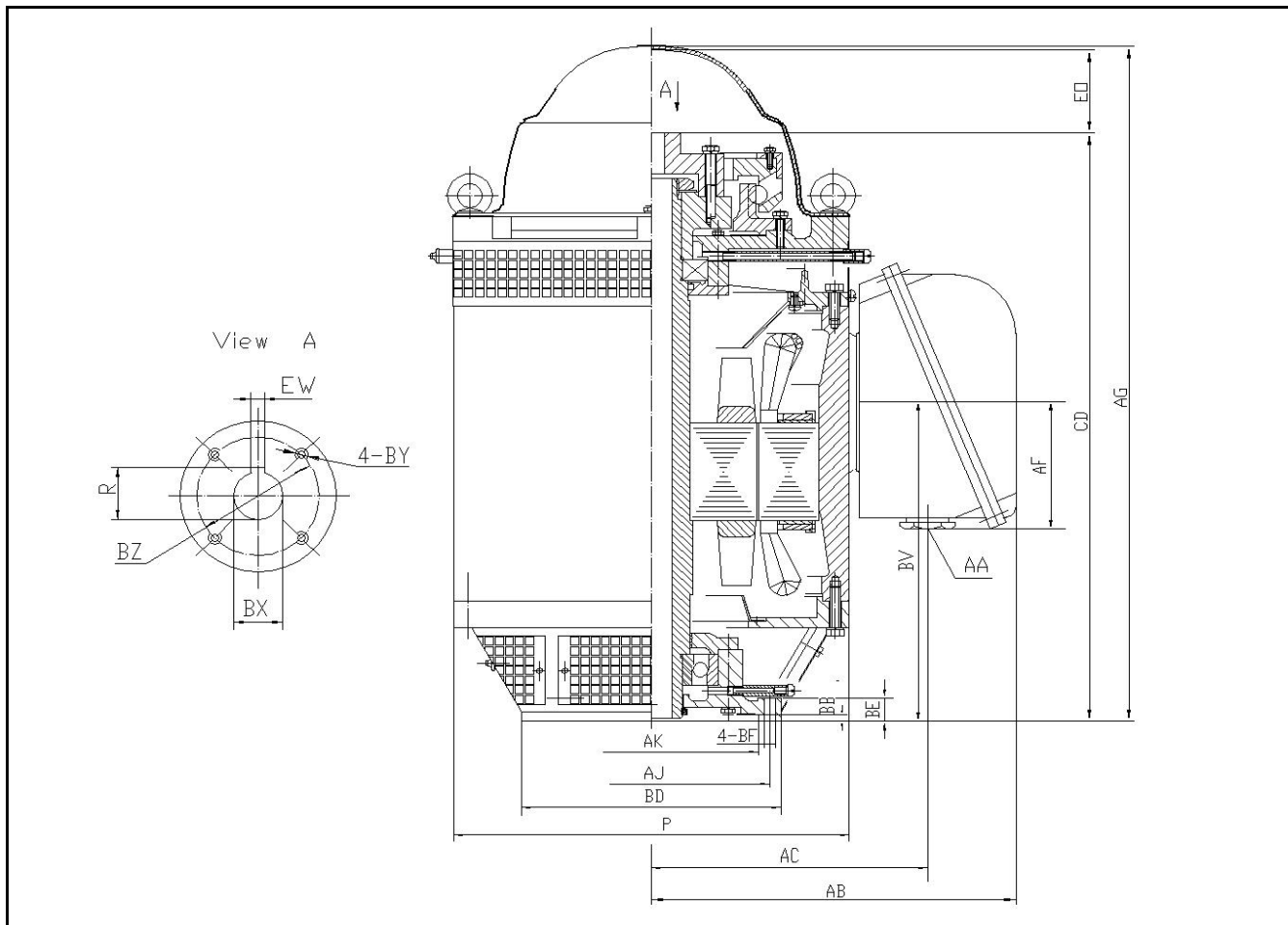
TORQUE		
FULL LOAD	LRT	BDT
73 lb.ft.	204 %	246 %

AMPERAGE INFORMATION		
	230V	460V
Full Load Amps	57.6A	28.8A
Locked Rotor Amps	354.2A	177.1A
No Load Current	20.8A	10.4A

BEARING INFORMATION	
Lower (DE) Bearing	7312B
Upper (ODE) Bearing	6212-C3
DE Lubrication Type	Mobil Polyrex EM
ODE Lubrication Type	Mobil Polyrex EM
DE Regreasing Interval	3800 Hours
ODE Regreasing Interval	3800 Hours
Lubrication Quantity	30g / 60g

ADDITIONAL DATA	
Down Thrust	3200 lbs
Shaft Material	45 Carbon Steel
Connection Diagram	12 Lead 2Δ/Δ
Approximate Weight	571 lbs.

284TP - 12 BD



DIMENSIONS - INCHES

COUPLING - STANDARD BORE				
BX	EW	R	BY	BZ
1	1/4	1.13	10-32	1-3/8

OVERALL			
P	AB	AG	BV
15.24	14.39	28.2	12.61

BASE						
AJ	AK	BB	BD	BF	EO	BE
9.125	8.25	0.25	12	4 * 0.44	3.22	0.79

CD	AC	AF	AA
24.75	10.6	5.83	3 NPT

PERFORMANCE CURVES

WorldWide Electric Corporation

1 (800) 808-2131

Worldwideelectric.net



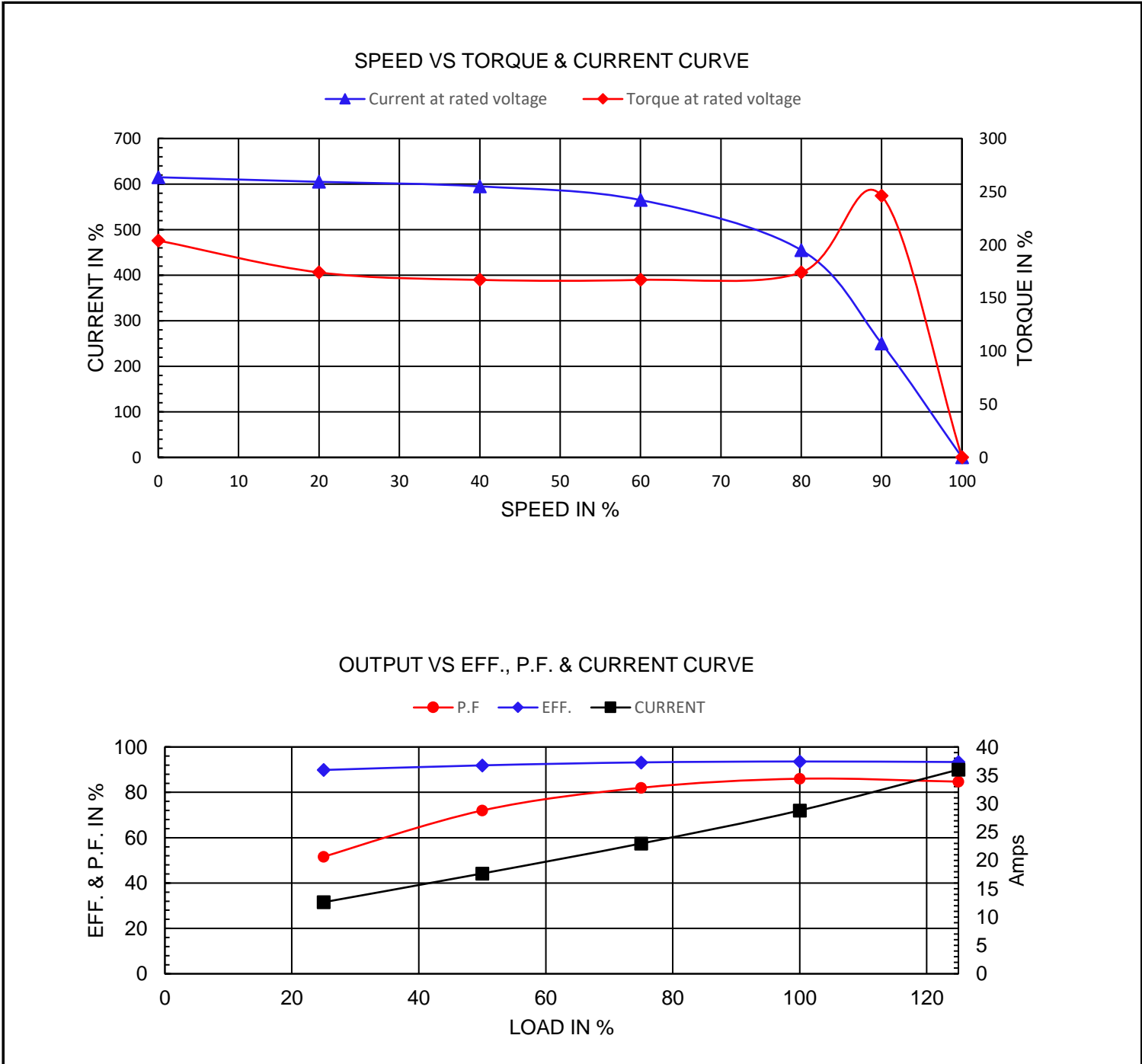
Premium Efficiency Motor:

WPEVHS25-18-284TP-12

Document Generated: 25-Jan-2023
Document ID:

Customer:

Motor Type	WPEVHS				
Output Rating (HP)	25	FL Speed	1785		
Full Load Torque	73 lb.ft	LRT (%FLT)	204	460 volt FLA	28.8A
Rotor Wk ²	93.6 lb-ft ²	BDT (%FLT)	246	230 volt FLA	57.6A



NAMEPLATE / WIRING

Premium Efficiency Motor: **WPEVHS25-18-284TP-12**

WorldWide Electric Corporation

1 (800) 808-2131

Worldwideelectric.net



Document Generated: 11-May-2022
Document ID:

Customer:

SAMPLE NAMEPLATE DATA

		PREMIUM EFFICIENCY THREE PHASE VHS MOTOR				CC326B
Model:						
Frame:	Ins Cl: F	Hz:	60	50	230V T4 T9 T6 T8 T5 T7 T10 T11 T12 T2 T3 T1	
HP:	AMB. 40 C	Volt:	230/460	200/400	460V T4 T5 T6 T7 T8 T9 T10 T11 T12 T2 T3 T1	
Duty: CONT	Lbs.	Amps:			MADE IN CHINA	
Nominal Eff:		RPM:				
Encl: WPI DP		SF:				
DE/ODE Brng:		SFA:	A	A		
S/N		LRA:	A	A		
Down thrust rating:					lbs.	
Inverter Rated 10:1 VT						
ROTATION						
WORLDWIDE ELECTRIC CORPORATION						

Model	WPEVHS25-18-284TP-12		60 Hz	50 Hz
Frame	284TP		Amps	57.6/28.8A
HP	25		RPM	1785
Nom.Eff.	93.6%		SF	1.15
DE/ODE Brng	7312B	6212-C3	SFA	66/33A
Down Thrust	3200 lbs		LRA	354.2/177.1A
				66/33A
				1485
				1.15
				75/37.5A
				491/245A