

DATA SHEET

Premium Efficiency Motor: **WPEVHS250-18-460-445TP-DB-20, 60 Hz**

WorldWide Electric Corporation

1 (800) 808-2131

Worldwideelectric.net



Document Generated: 11-May-2022
Document ID:

Customer:

| MOTOR INFORMATION | |
|-------------------------|----------------------------------|
| HP | 250 |
| RPM | 1800 |
| Phase | 3 |
| Frequency | 60 Hz |
| Voltage | 460 |
| Frame Size | 445TP |
| Enclosure | ODP - WPI |
| Degree of Protection | IP23 |
| Service Factor | 1.15 |
| Poles | 4 |
| Full Load Speed | 1788 |
| Insulation Class | F |
| Temp Rise | 80°C |
| NEMA Code Letter | G |
| Duty Cycle | S1 / Continuous |
| Slip | 0.67% |
| NEMA Design | B |
| Moment of Inertia | 72.4 lb.ft.^2 |
| Locked Rotor Time (Hot) | 33 seconds |
| Sound Pressure Level | 100 dB(A) |
| Number of Starts | 3 Cold / 2 Hot |
| Max Ambient Temperature | 40°C |
| Max Elevation | 1000 m.a.s.l (3300 f.a.s.l) |
| Mounting | V1 |
| Rotation | CCW - with Anti-Reverese Ratchet |
| Area of Classification | Safe |
| Inverter Rating | 10:1 VT |
| Standard | NEMA MG-1 |
| Approvals | CSA |

| EFFICIENCY/POWER FACTOR | | |
|-------------------------|--------|-------|
| LOAD | EFF | P. F. |
| 100% | 95.8 % | 0.88 |
| 75% | 94.5 % | 0.87 |
| 50% | 93.1 % | 0.81 |

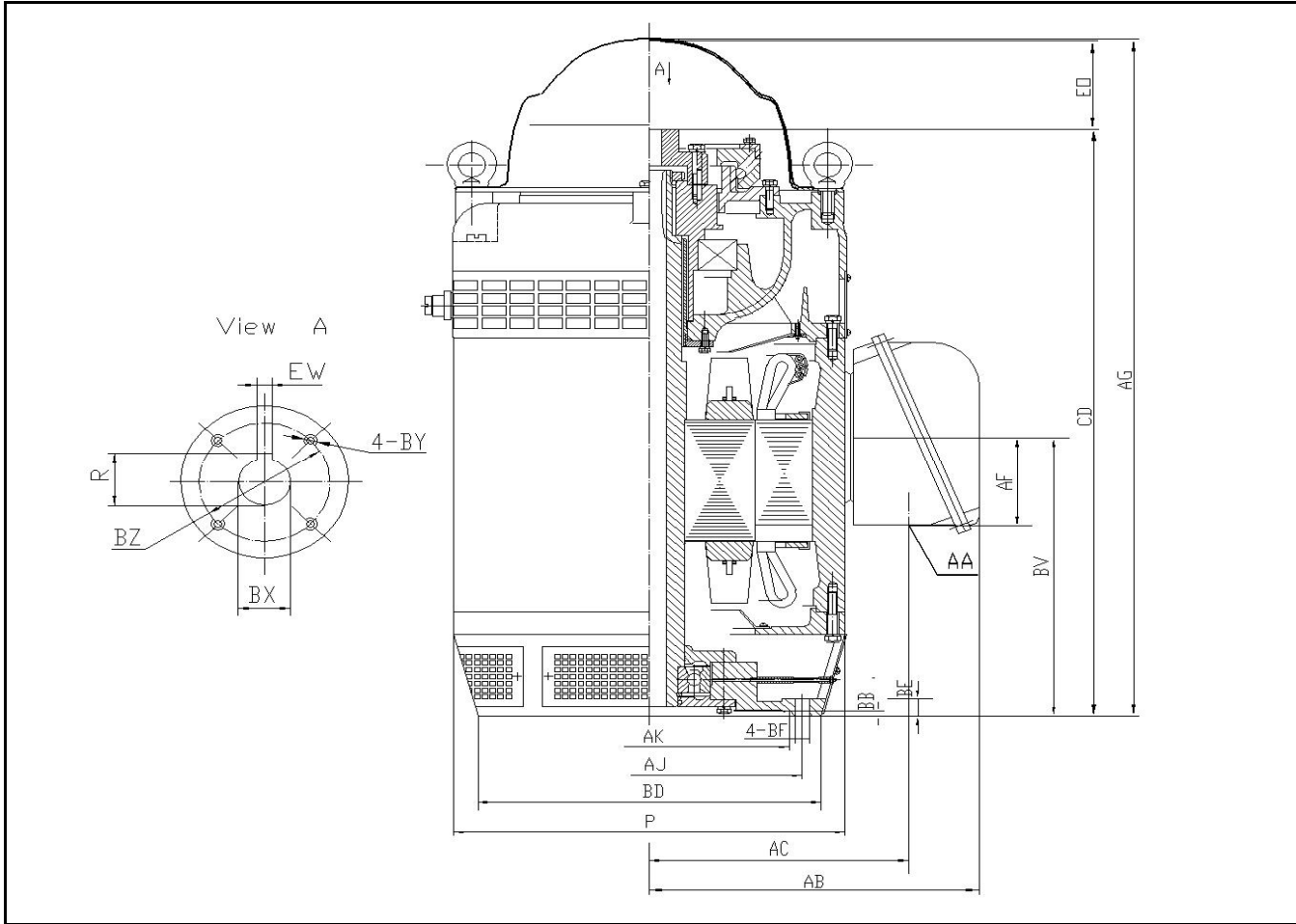
| TORQUE | | |
|------------|-------|-------|
| FULL LOAD | LRT | BDT |
| 730 lb.ft. | 168 % | 220 % |

| AMPERAGE INFORMATION | | |
|----------------------|------|-------|
| | 230V | 460V |
| Full Load Amps | -A | 276A |
| Locked Rotor Amps | -A | 1849A |
| No Load Current | -A | 80.1A |

| BEARING INFORMATION | |
|-------------------------|------------------|
| Lower (DE) Bearing | 6318-C3 |
| Upper (ODE) Bearing | 7232B/DT |
| DE Lubrication Type | Mobil Polyrex EM |
| ODE Lubrication Type | ISO VC 32 Oil |
| DE Regreasing Interval | 3800 Hours |
| ODE Regreasing Interval | 3800 Hours |
| Lubrication Quantity | 95g / 5.61qt |

| ADDITIONAL DATA | |
|--------------------|-----------------|
| Down Thrust | 14400 lbs |
| Shaft Material | 45 Carbon Steel |
| Connection Diagram | 12 Lead Δ |
| Approximate Weight | 2206 lbs. |

445TP - 20 BD (200-250HP)



DIMENSIONS - INCHES

| COUPLING - STANDARD BORE | | | | |
|--------------------------|-----|-------|--------|-------|
| BX | EW | R | BY | BZ |
| 1-11/16 | 3/8 | 1.854 | 1/4-20 | 2-1/2 |

| OVERALL | | | |
|---------|------|-------|-------|
| P | AB | AG | BV |
| 23.3 | 20.7 | 50.18 | 22.46 |

| BASE | | | | | | |
|-------|------|------|----|----------|-----|------|
| AJ | AK | BB | BD | BF | EO | BE |
| 14.75 | 13.5 | 0.25 | 20 | 4 * 0.69 | 5.4 | 1.18 |

| CD | AC | AF | AA |
|-------|-------|------|-------|
| 44.78 | 16.18 | 7.56 | 3 NPT |

PERFORMANCE CURVES

WorldWide Electric Corporation

1 (800) 808-2131

Worldwideelectric.net



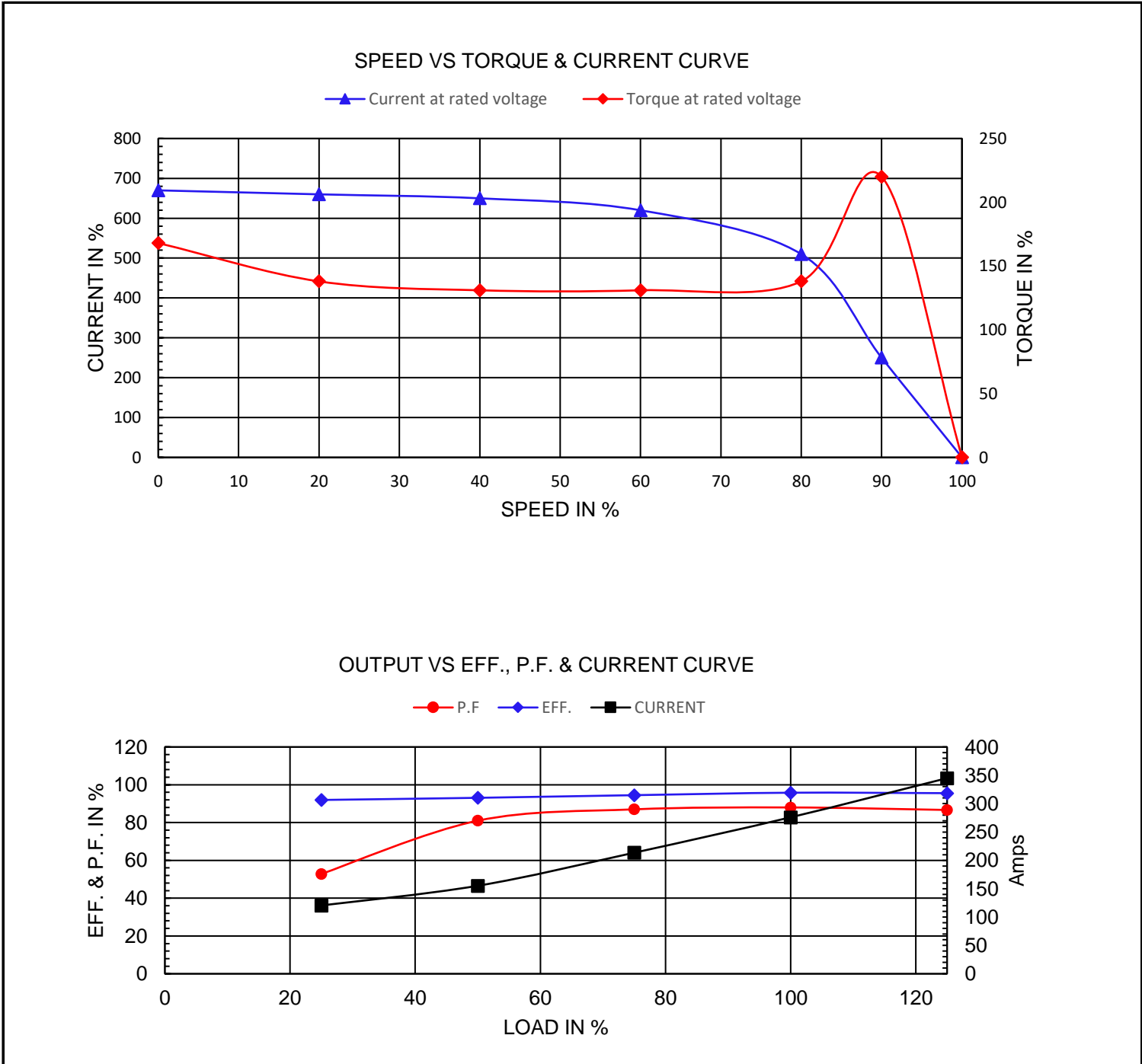
Premium Efficiency Motor:

WPEVHS250-18-460-445TP-DB-20

Document Generated: 25-Jan-2023
Document ID:

Customer:

| | | | | | |
|-----------------------|-------------------------|------------|------|--------------|------|
| Motor Type | WPEVHS | | | | |
| Output Rating (HP) | 250 | FL Speed | 1788 | | |
| Full Load Torque | 730 lb.ft | LRT (%FLT) | 168 | 460 volt FLA | 276A |
| Rotor Wk ² | 95.8 lb-ft ² | BDT (%FLT) | 220 | 230 volt FLA | -A |



NAMEPLATE / WIRING

WorldWide Electric Corporation

1 (800) 808-2131

Worldwideelectric.net






Premium Efficiency Motor: **WPEVHS250-18-460-445TP-DB-20**

Document Generated: 11-May-2022
Document ID:

Customer:

SAMPLE NAMEPLATE DATA

| | | | | | | | | | | | | | | | | | | | | | |
|---|-----------|---|-----|------|--|---------------|------|--|--|----|----|----|----|----|----|-----|-----|-----|----|----|----|
|  | | PREMIUM EFFICIENCY THREE PHASE VHS MOTOR | | |  | CC326B | | | | | | | | | | | | | | | |
| Model: | | | | | | | | | | | | | | | | | | | | | |
| Frame: | Ins Cl: F | Hz: | 60 | 50 | <table border="1"> <tr> <td colspan="3">460V</td> </tr> <tr> <td>T4</td><td>T9</td><td>T6</td> </tr> <tr> <td>T8</td><td>T5</td><td>T7</td> </tr> <tr> <td>T10</td><td>T11</td><td>T12</td> </tr> <tr> <td>T2</td><td>T3</td><td>T1</td> </tr> </table> <p style="writing-mode: vertical-rl; transform: rotate(180deg);">MADE IN CHINA</p> | | 460V | | | T4 | T9 | T6 | T8 | T5 | T7 | T10 | T11 | T12 | T2 | T3 | T1 |
| 460V | | | | | | | | | | | | | | | | | | | | | |
| T4 | T9 | T6 | | | | | | | | | | | | | | | | | | | |
| T8 | T5 | T7 | | | | | | | | | | | | | | | | | | | |
| T10 | T11 | T12 | | | | | | | | | | | | | | | | | | | |
| T2 | T3 | T1 | | | | | | | | | | | | | | | | | | | |
| HP: | AMB. 40 C | Volt: | 460 | 400 | | | | | | | | | | | | | | | | | |
| Duty: CONT | Lbs. | Amps: | | | | | | | | | | | | | | | | | | | |
| Nominal Eff: | | RPM: | | | | | | | | | | | | | | | | | | | |
| Encl: WPI DP | | SF: | | | | | | | | | | | | | | | | | | | |
| DE/ODE Brng: | | SFA: | A | A | | | | | | | | | | | | | | | | | |
| S/N | | LRA: | A | A | | | | | | | | | | | | | | | | | |
| Down thrust rating: | | | | lbs. | | | | | | | | | | | | | | | | | |
| Inverter Rated 10:1 VT | | | | | | | | | | | | | | | | | | | | | |
| ROTATION  | | | | | | | | | | | | | | | | | | | | | |
| WORLDWIDE ELECTRIC CORPORATION | | | | | | | | | | | | | | | | | | | | | |

| Model | WPEVHS250-18-460-445TP-DB-20 | | 60 Hz | 50 Hz |
|-------------|------------------------------|----------|-------|-------|
| Frame | 445TP | | Amps | 276A |
| HP | 250 | | RPM | 1788 |
| Nom.Eff. | 95.8% | | SF | 1.15 |
| DE/ODE Brng | 6318-C3 | 7232B/DT | SFA | 317A |
| Down Thrust | 14400 lbs | LRA | 1849A | 2712A |