

DATA SHEET

Premium Efficiency Motor: **WPEVHS30-18-286TP-12,**

60 Hz

WorldWide Electric Corporation

1 (800) 808-2131

Worldwideelectric.net



Document Generated: 11-May-2022
Document ID:

Customer:

MOTOR INFORMATION	
HP	30
RPM	1800
Phase	3
Frequency	60 Hz
Voltage	230/460
Frame Size	286TP
Enclosure	ODP - WPI
Degree of Protection	IP23
Service Factor	1.15
Poles	4
Full Load Speed	1785
Insulation Class	F
Temp Rise	80°C
NEMA Code Letter	F
Duty Cycle	S1 / Continuous
Slip	1.15%
NEMA Design	B
Moment of Inertia	5.99 lb.ft.^2
Locked Rotor Time (Hot)	58 seconds
Sound Pressure Level	88 dB(A)
Number of Starts	3 Cold / 2 Hot
Max Ambient Temperature	40°C
Max Elevation	1000 m.a.s.l (3300 f.a.s.l)
Mounting	V1
Rotation	CCW - with Anti-Reverese Ratchet
Area of Classification	Safe
Inverter Rating	10:1 VT
Standard	NEMA MG-1
Approvals	CSA

EFFICIENCY/POWER FACTOR		
LOAD	EFF	P. F.
100%	94.1 %	0.86
75%	93.9 %	0.83
50%	92.9 %	0.74

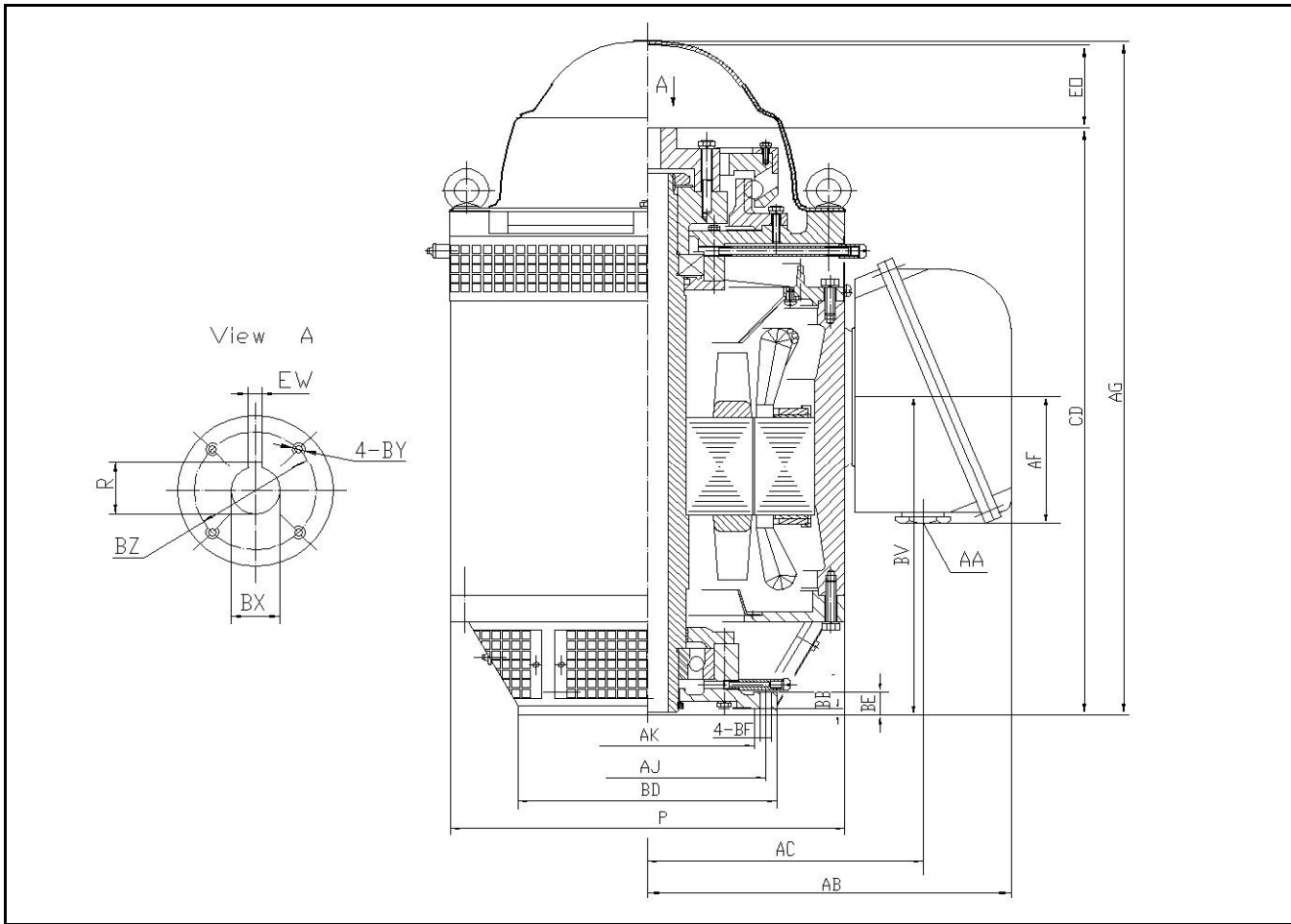
TORQUE		
FULL LOAD	LRT	BDT
88 lb.ft.	207 %	242 %

AMPERAGE INFORMATION		
	230V	460V
Full Load Amps	68.2A	34.1A
Locked Rotor Amps	412.2A	206.1A
No Load Current	24.8A	12.4A

BEARING INFORMATION	
Lower (DE) Bearing	7312B
Upper (ODE) Bearing	6212-C3
DE Lubrication Type	Mobil Polyrex EM
ODE Lubrication Type	Mobil Polyrex EM
DE Regreasing Interval	3800 Hours
ODE Regreasing Interval	3800 Hours
Lubrication Quantity	30g / 60g

ADDITIONAL DATA	
Down Thrust	3200 lbs
Shaft Material	45 Carbon Steel
Connection Diagram	12 Lead 2Δ/Δ
Approximate Weight	591 lbs.

286TP - 12 BD



DIMENSIONS - INCHES

COUPLING - STANDARD BORE				
BX	EW	R	BY	BZ
1	1/4	1.13	10-32	1-3/8

OVERALL			
P	AB	AG	BV
15.24	14.39	28.2	12.61

BASE						
AJ	AK	BB	BD	BF	EO	BE
9.125	8.25	0.25	12	4 * 0.44	3.22	0.79

CD	AC	AF	AA
24.75	10.6	5.83	3 NPT

PERFORMANCE CURVES

WorldWide Electric Corporation

1 (800) 808-2131

Worldwideelectric.net



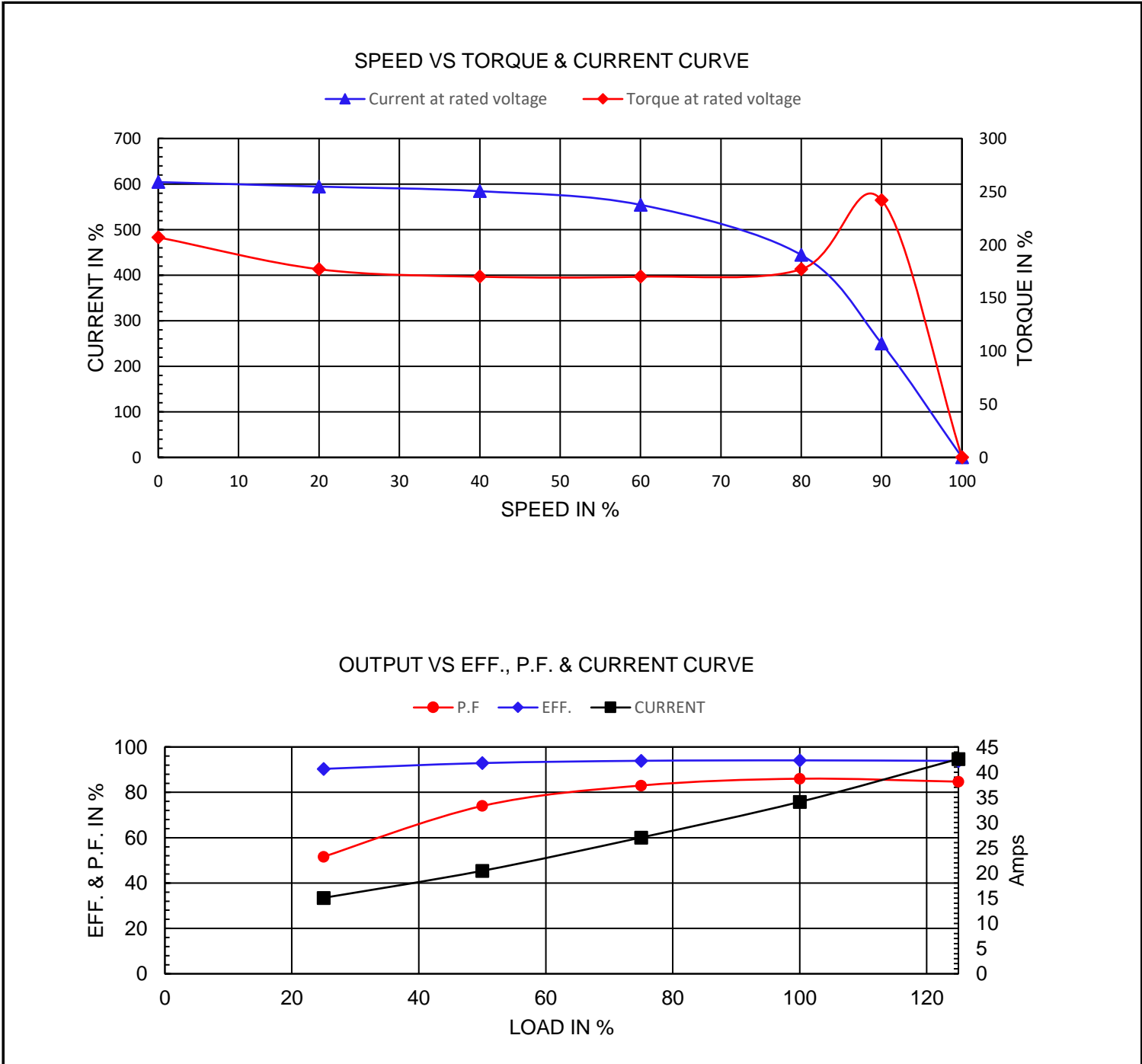
Premium Efficiency Motor:

WPEVHS30-18-286TP-12

Document Generated: 25-Jan-2023
Document ID:

Customer:

Motor Type	WPEVHS				
Output Rating (HP)	30	FL Speed	1785		
Full Load Torque	88 lb.ft	LRT (%FLT)	207	460 volt FLA	34.1A
Rotor Wk ²	94.1 lb-ft ²	BDT (%FLT)	242	230 volt FLA	68.2A



NAMEPLATE / WIRING

Premium Efficiency Motor: **WPEVHS30-18-286TP-12**

WorldWide Electric Corporation

1 (800) 808-2131




Worldwideelectric.net



Document Generated: 11-May-2022
Document ID:

Customer:

SAMPLE NAMEPLATE DATA

		PREMIUM EFFICIENCY THREE PHASE VHS MOTOR				CC326B																		
Model:																								
Frame:	Ins Cl: F	Hz:	60	50	<table border="1"> <tr> <td colspan="6">230V</td> </tr> <tr> <td>T4</td><td>T9</td><td>T6</td><td>T8</td><td>T5</td><td>T7</td> </tr> <tr> <td>T10</td><td>T11</td><td>T12</td><td>T2</td><td>T3</td><td>T1</td> </tr> </table>		230V						T4	T9	T6	T8	T5	T7	T10	T11	T12	T2	T3	T1
230V																								
T4	T9	T6	T8	T5	T7																			
T10	T11	T12	T2	T3	T1																			
HP:	AMB. 40 C	Volt:	230/460	200/400	<table border="1"> <tr> <td colspan="6">460V</td> </tr> <tr> <td>T4</td><td>T5</td><td>T6</td><td>T7</td><td>T8</td><td>T9</td> </tr> <tr> <td>T10</td><td>T11</td><td>T12</td><td>T2</td><td>T3</td><td>T1</td> </tr> </table>		460V						T4	T5	T6	T7	T8	T9	T10	T11	T12	T2	T3	T1
460V																								
T4	T5	T6	T7	T8	T9																			
T10	T11	T12	T2	T3	T1																			
Duty: CONT	Lbs.	Amps:			MADE IN CHINA																			
Nominal Eff:		RPM:																						
Encl: WPI DP		SF:																						
DE/ODE Brng:		SFA:	A	A																				
S/N		LRA:	A	A																				
Down thrust rating:					lbs.																			
Inverter Rated 10:1 VT ROTATION 																								
WORLDWIDE ELECTRIC CORPORATION																								

Model	WPEVHS30-18-286TP-12		60 Hz	50 Hz
Frame	286TP		Amps 68.2/34.1A	80/40A
HP	30		RPM 1785	1485
Nom.Eff.	94.1%		SF 1.15	1.15
DE/ODE Brng	7312B	6212-C3	SFA 80/40A	94/47A
Down Thrust	3200 lbs		LRA 412.2/206.1A	522/261A