

# DATA SHEET

Premium Efficiency Motor: **WPEVHS400-18-460-5008P-DB-24.5, 60 Hz**

WorldWide Electric Corporation

1 (800) 808-2131

Worldwideelectric.net



Document Generated: 11-May-2022  
Document ID:

Customer:

MOTOR INFORMATION	
HP	400
RPM	1800
Phase	3
Frequency	60 Hz
Voltage	460
Frame Size	5008P
Enclosure	ODP - WPI
Degree of Protection	IP23
Service Factor	1.15
Poles	4
Full Load Speed	1790
Insulation Class	F
Temp Rise	80°C
NEMA Code Letter	G
Duty Cycle	S1 / Continuous
Slip	0.56%
NEMA Design	B
Moment of Inertia	176 lb.ft.^2
Locked Rotor Time (Hot)	67 seconds
Sound Pressure Level	100 dB(A)
Number of Starts	3 Cold / 2 Hot
Max Ambient Temperature	40°C
Max Elevation	1000 m.a.s.l (3300 f.a.s.l)
Mounting	V1
Rotation	CCW - with Anti-Reverese Ratchet
Area of Classification	Safe
Inverter Rating	10:1 VT
Standard	NEMA MG-1
Approvals	CSA

EFFICIENCY/POWER FACTOR		
LOAD	EFF	P. F.
100%	95.8 %	0.9
75%	95.8 %	0.88
50%	95.2 %	0.86

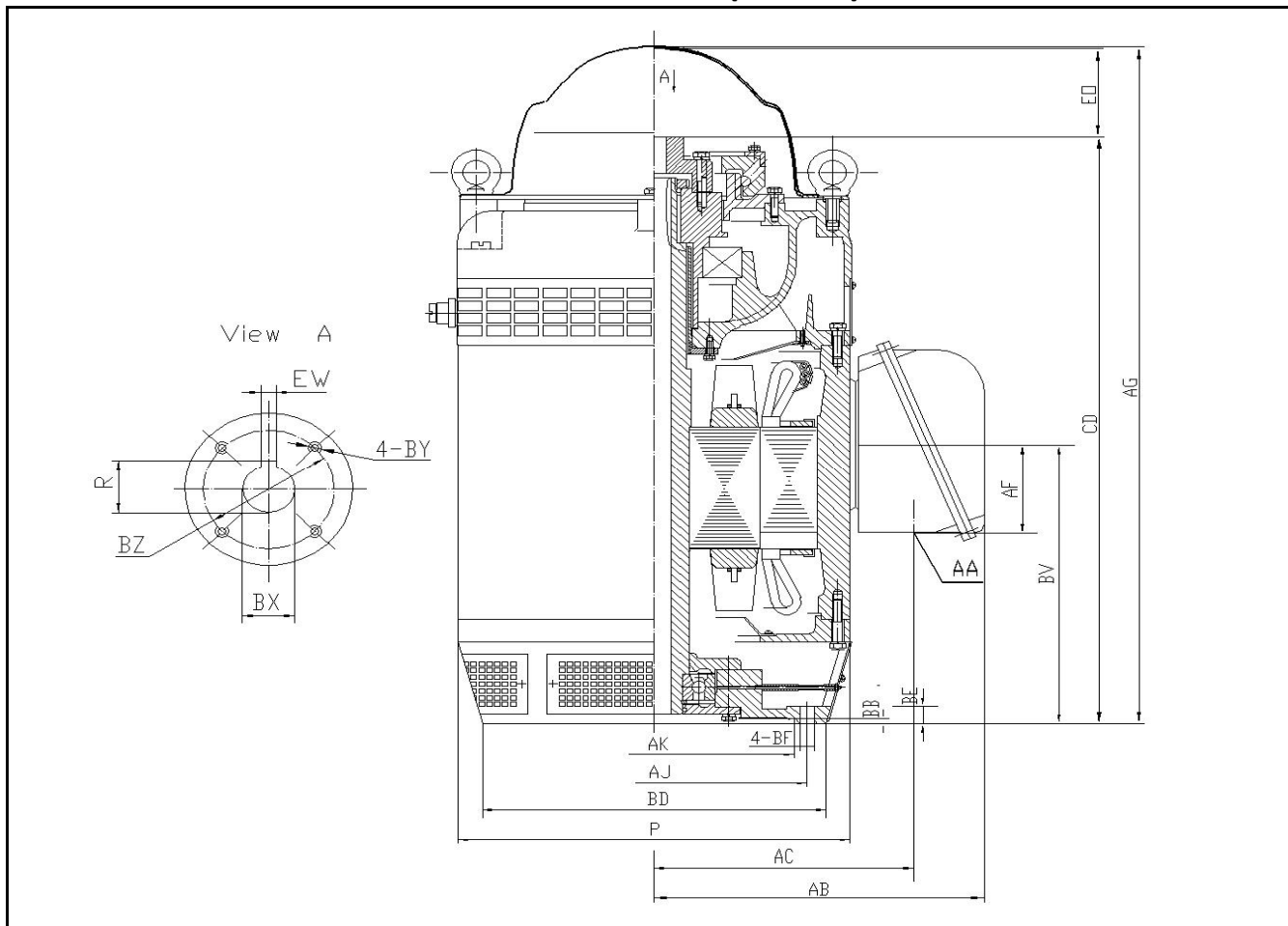
TORQUE		
FULL LOAD	LRT	BDT
1168 lb.ft.	164 %	220 %

AMPERAGE INFORMATION		
	230V	460V
Full Load Amps	-A	437A
Locked Rotor Amps	-A	2840A
No Load Current	-A	97.2A

BEARING INFORMATION	
Lower (DE) Bearing	6322-C3
Upper (ODE) Bearing	7236B/DT
DE Lubrication Type	Mobil Polyrex EM
ODE Lubrication Type	ISO VC 32 Oil
DE Regreasing Interval	3800 Hours
ODE Regreasing Interval	3800 Hours
Lubrication Quantity	140g / 11.08qt

ADDITIONAL DATA	
Down Thrust	24000 lbs
Shaft Material	45 Carbon Steel
Connection Diagram	12 Lead Δ
Approximate Weight	4149 lbs.

**5008P - 24.5 BD (400HP)**



**DIMENSIONS - INCHES**

COUPLING - STANDARD BORE				
BX	EW	R	BY	BZ
1-15/16	1/2	2.162	1/4-20	2-1/2

OVERALL			
P	AB	AG	BV
28.98	27.38	61.98	25.29

BASE						
AJ	AK	BB	BD	BF	EO	BE
14.75	13.5	0.25	24.5	4 * 0.69	8.1	0.79

CD	AC	AF	AA
53.88	21.54	7.87	2 X 3 NPT

# PERFORMANCE CURVES

WorldWide Electric Corporation

1 (800) 808-2131

Worldwideelectric.net



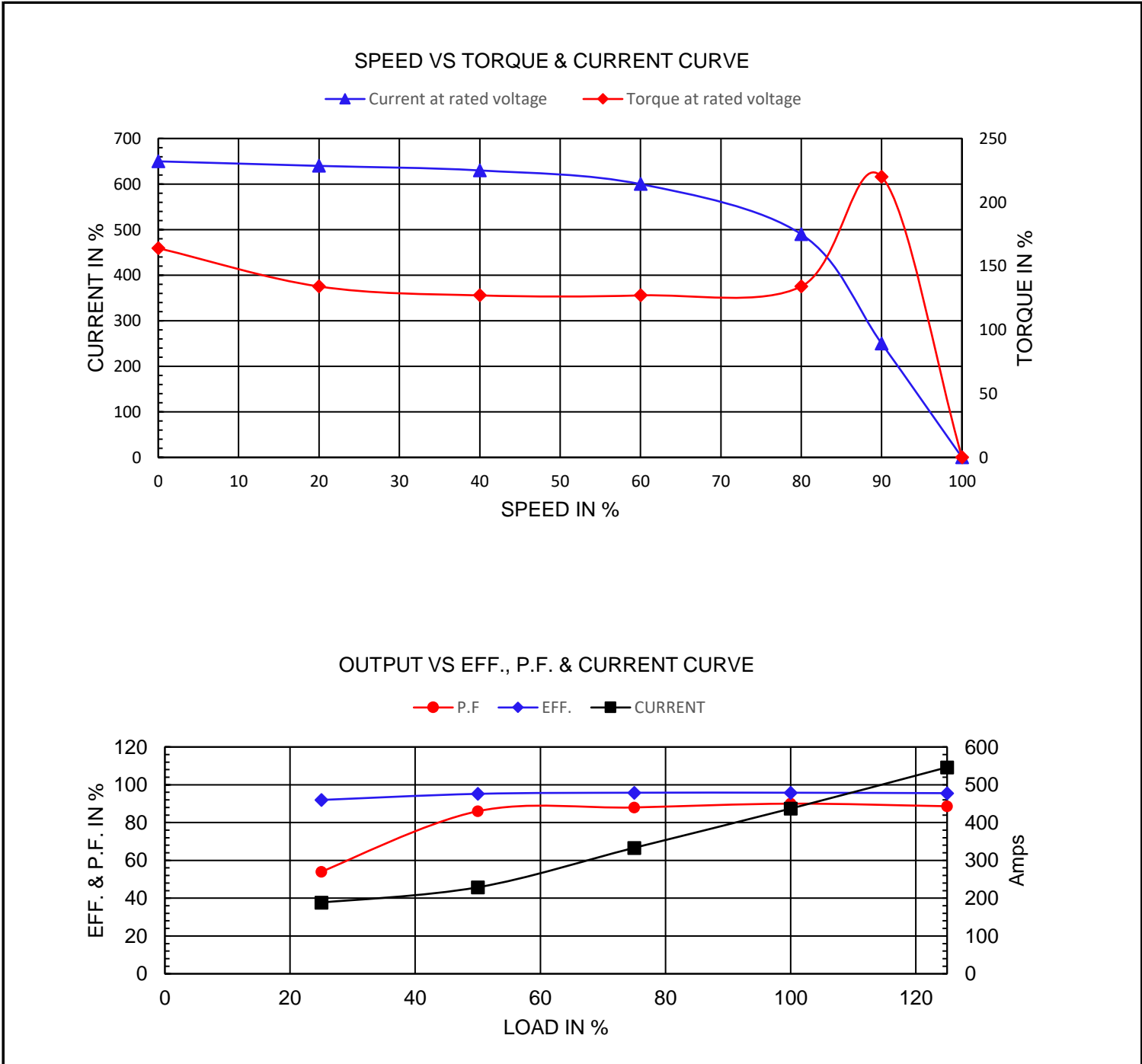
Premium Efficiency Motor:

**WPEVHS400-18-460-5008P-DB-24.5**

Document Generated: 25-Jan-2023  
Document ID:

Customer:

Motor Type	WPEVHS				
Output Rating (HP)	400	FL Speed	1790		
Full Load Torque	1168 lb.ft	LRT (%FLT)	164	460 volt FLA	437A
Rotor Wk <sup>2</sup>	95.8 lb-ft <sup>2</sup>	BDT (%FLT)	220	230 volt FLA	-A



# NAMEPLATE / WIRING

WorldWide Electric Corporation

1 (800) 808-2131

Worldwideelectric.net



Premium Efficiency Motor: **WPEVHS400-18-460-5008P-DB-24.5**

Document Generated: 11-May-2022  
Document ID:

Customer:

## SAMPLE NAMEPLATE DATA

		<b>PREMIUM EFFICIENCY THREE PHASE VHS MOTOR</b>			 Energy Verified 603767	<b>CC326B</b>
Model:						
Frame:	Ins Cl: F	Hz:	60	50	460V	
HP:	AMB. 40 C	Volt:	460	400	T4 T9 T6	
Duty: CONT	Lbs.	Amps:			T8 T5 T7	
Nominal Eff:		RPM:			T10 T11 T12	
Encl: WPI DP		SF:			T2 T3 T1	
DE/ODE Brng:		SFA:	A	A	 MADE IN CHINA	
S/N		LRA:	A	A		
Down thrust rating:						lbs.
Inverter Rated 10:1 VT						
ROTATION						
<b>WORLDWIDE ELECTRIC CORPORATION</b>						

<b>Model</b>	WPEVHS400-18-460-5008P-DB-24.5		<b>60 Hz</b>	<b>50 Hz</b>
<b>Frame</b>	5008P	<b>Amps</b>	437A	502A
<b>HP</b>	400	<b>RPM</b>	1790	1485
<b>Nom.Eff.</b>	95.8%	<b>SF</b>	1.15	1.15
<b>DE/ODE Brng</b>	6322-C3 7236B/DT	<b>SFA</b>	503A	578A
<b>Down Thrust</b>	24000 lbs	<b>LRA</b>	2840A	3349A