

DATA SHEET

Premium Efficiency Motor: **WPEVHS50-18-460-326TP-16.5,** **60 Hz**

WorldWide Electric Corporation
1 (800) 808-2131
Worldwideelectric.net



Document Generated: 11-May-2022
Document ID:

Customer:

MOTOR INFORMATION	
HP	50
RPM	1800
Phase	3
Frequency	60 Hz
Voltage	460
Frame Size	326TP
Enclosure	ODP - WPI
Degree of Protection	IP23
Service Factor	1.15
Poles	4
Full Load Speed	1785
Insulation Class	F
Temp Rise	80°C
NEMA Code Letter	G
Duty Cycle	S1 / Continuous
Slip	0.83%
NEMA Design	B
Moment of Inertia	13.6 lb.ft.^2
Locked Rotor Time (Hot)	62 seconds
Sound Pressure Level	91 dB(A)
Number of Starts	3 Cold / 2 Hot
Max Ambient Temperature	40°C
Max Elevation	1000 m.a.s.l (3300 f.a.s.l)
Mounting	V1
Rotation	CCW - with Anti-Reverese Ratchet
Area of Classification	Safe
Inverter Rating	10:1 VT
Standard	NEMA MG-1
Approvals	CSA

EFFICIENCY/POWER FACTOR		
LOAD	EFF	P. F.
100%	94.5 %	0.87
75%	94.2 %	0.84
50%	93.0 %	0.76

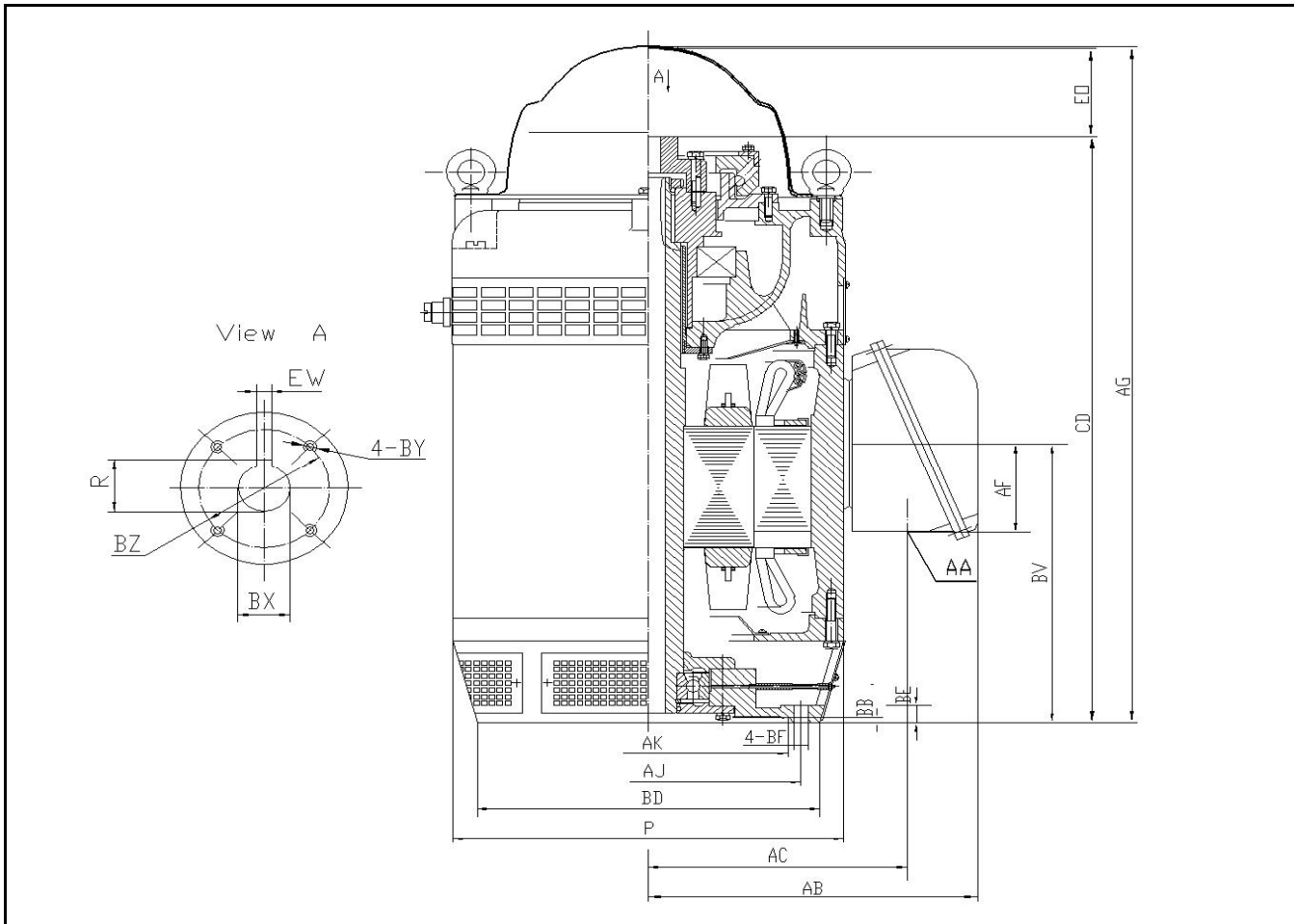
TORQUE		
FULL LOAD	LRT	BDT
146 lb.ft.	194 %	262 %

AMPERAGE INFORMATION		
	230V	460V
Full Load Amps	-A	56.4A
Locked Rotor Amps	-A	351.5A
No Load Current	-A	19.5A

BEARING INFORMATION	
Lower (DE) Bearing	6213-C3
Upper (ODE) Bearing	7221B
DE Lubrication Type	Mobil Polyrex EM
ODE Lubrication Type	ISO VC 32 Oil
DE Regreasing Interval	3800 Hours
ODE Regreasing Interval	3800 Hours
Lubrication Quantity	40g / 2.34qt

ADDITIONAL DATA	
Down Thrust	5500 lbs
Shaft Material	45 Carbon Steel
Connection Diagram	12 Lead 2Δ/Δ
Approximate Weight	825 lbs.

326TP - 16.5 BD



DIMENSIONS - INCHES

COUPLING - STANDARD BORE				
BX	EW	R	BY	BZ
1-1/4	1/4	1.367	1/4-20	1-3/4

OVERALL			
P	AB	AG	BV
17.32	15.44	32.7	14.58

BASE						
AJ	AK	BB	BD	BF	EO	BE
14.75	13.5	0.25	16.5	4 * 0.69	4.22	0.79

CD	AC	AF	AA
28.22	11.65	5.83	3 NPT

PERFORMANCE CURVES

WorldWide Electric Corporation

1 (800) 808-2131

Worldwideelectric.net



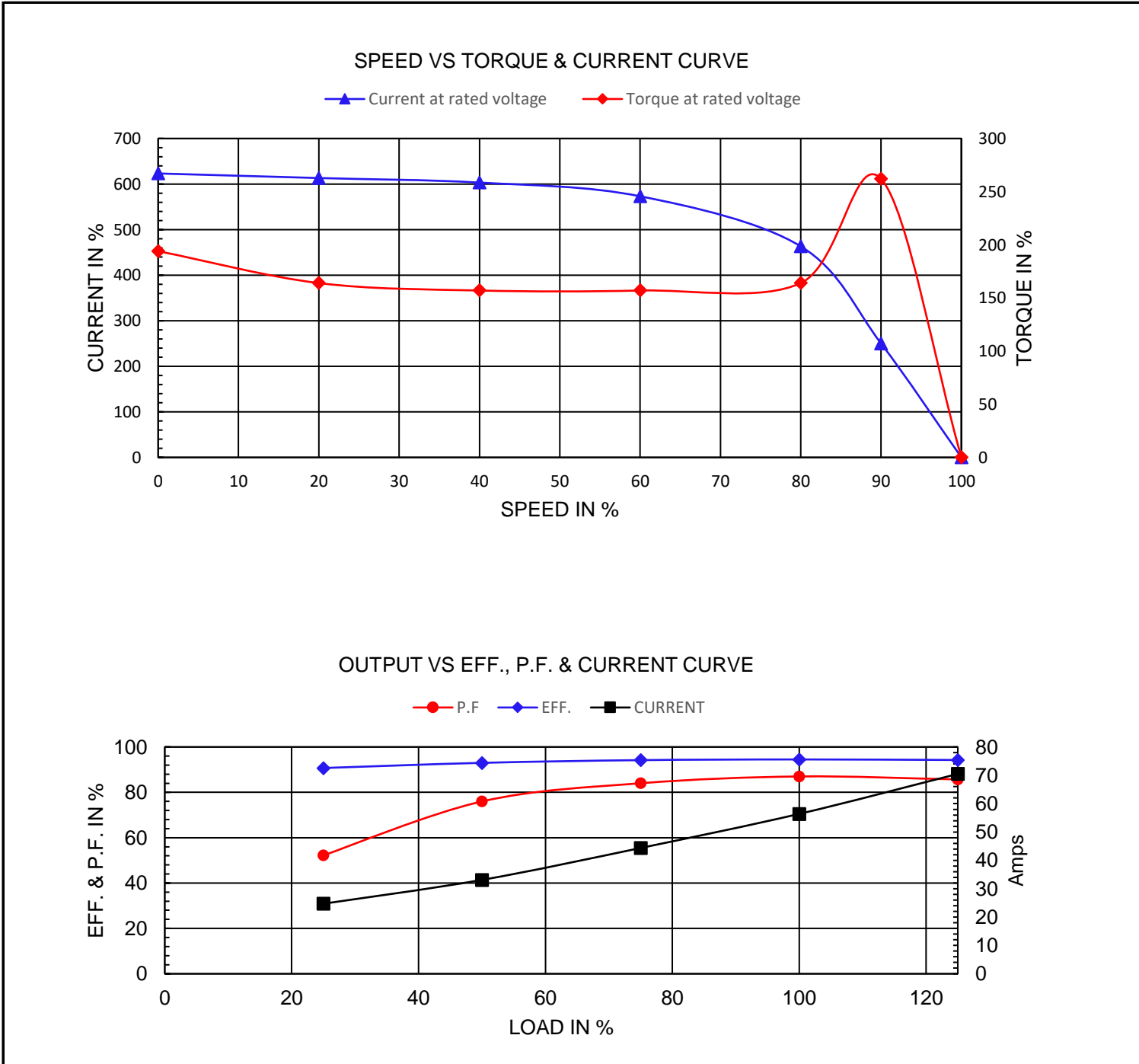
Premium Efficiency Motor:

WPEVHS50-18-460-326TP-16.5

Document Generated: 25-Jan-2023
Document ID:

Customer:

Motor Type	WPEVHS				
Output Rating (HP)	50	FL Speed	1785		
Full Load Torque	146 lb.ft	LRT (%FLT)	194	460 volt FLA	56.4A
Rotor Wk ²	94.5 lb-ft ²	BDT (%FLT)	262	230 volt FLA	-A



NAMEPLATE / WIRING

Premium Efficiency Motor: **WPEVHS50-18-460-326TP-16.5**

WorldWide Electric Corporation

1 (800) 808-2131

Worldwideelectric.net



Document Generated: 11-May-2022
Document ID:

Customer:

SAMPLE NAMEPLATE DATA

Model:		PREMIUM EFFICIENCY THREE PHASE VHS MOTOR					CC326B	
Frame:	Ins Cl: F	Hz:	60	50				
HP:	AMB. 40 C	Volt:	460	400				
Duty: CONT	Lbs.	Amps:						
Nominal Eff:		RPM:						
Encl: WPI DP		SF:						
DE/ODE Brng:		SFA:	A	A				
S/N		LRA:	A	A				
Down thrust rating:				lbs.				
Inverter Rated 10:1 VT								
ROTATION								
WORLDWIDE ELECTRIC CORPORATION								

Model	WPEVHS50-18-460-326TP-16.5		60 Hz	50 Hz	
Frame	326TP		Amps	56.4A	63A
HP	50		RPM	1785	1485
Nom.Eff.	94.5%		SF	1.15	1.15
DE/ODE Brng	6213-C3	7221B	SFA	63A	71A
Down Thrust	5500 lbs		LRA	351.5A	426A