

DATA SHEET

Premium Efficiency Motor: **WPEVHS500-18-460-5008P-DB-24.5, 60 Hz**

WorldWide Electric Corporation

1 (800) 808-2131

Worldwideelectric.net



Document Generated: 11-May-2022
Document ID:

Customer:

MOTOR INFORMATION	
HP	500
RPM	1800
Phase	3
Frequency	60 Hz
Voltage	460
Frame Size	5008P
Enclosure	ODP - WPI
Degree of Protection	IP23
Service Factor	1.15
Poles	4
Full Load Speed	1790
Insulation Class	F
Temp Rise	80°C
NEMA Code Letter	G
Duty Cycle	S1 / Continuous
Slip	0.56%
NEMA Design	B
Moment of Inertia	215 lb.ft.^2
Locked Rotor Time (Hot)	62 seconds
Sound Pressure Level	100 dB(A)
Number of Starts	3 Cold / 2 Hot
Max Ambient Temperature	40°C
Max Elevation	1000 m.a.s.l (3300 f.a.s.l)
Mounting	V1
Rotation	CCW - with Anti-Reverese Ratchet
Area of Classification	Safe
Inverter Rating	10:1 VT
Standard	NEMA MG-1
Approvals	CSA

EFFICIENCY/POWER FACTOR		
LOAD	EFF	P. F.
100%	96.2 %	0.9
75%	95.8 %	0.88
50%	94.4 %	0.83

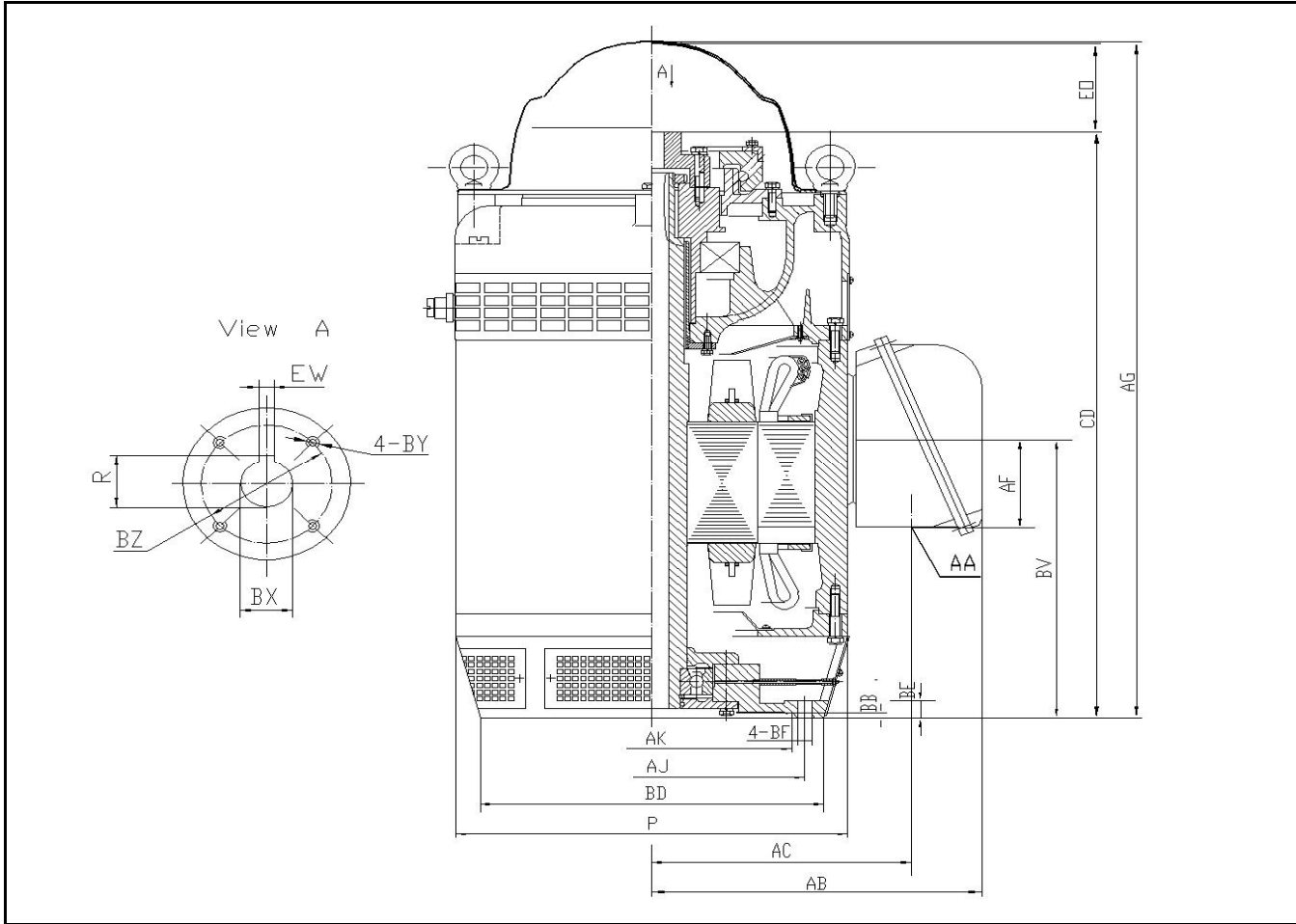
TORQUE		
FULL LOAD	LRT	BDT
1460 lb.ft.	168 %	220 %

AMPERAGE INFORMATION		
	230V	460V
Full Load Amps	-A	544A
Locked Rotor Amps	-A	3645A
No Load Current	-A	141A

BEARING INFORMATION	
Lower (DE) Bearing	6322-C3
Upper (ODE) Bearing	7236B/DT
DE Lubrication Type	Mobil Polyrex EM
ODE Lubrication Type	ISO VC 32 Oil
DE Regreasing Interval	3800 Hours
ODE Regreasing Interval	3800 Hours
Lubrication Quantity	140g / 11.08qt

ADDITIONAL DATA	
Down Thrust	24000 lbs
Shaft Material	45 Carbon Steel
Connection Diagram	12 Lead Δ
Approximate Weight	4449 lbs.

5008P - 24.5 BD (450-500HP)



DIMENSIONS - INCHES

COUPLING - STANDARD BORE				
BX	EW	R	BY	BZ
2-3/16	1/2	2.412	3/8-16	3-1/4

OVERALL			
P	AB	AG	BV
28.98	27.38	61.98	25.29

BASE						
AJ	AK	BB	BD	BF	EO	BE
14.75	13.5	0.25	24.5	4 * 0.69	8.1	0.79

CD	AC	AF	AA
53.88	21.54	7.87	2 X 3 NPT

PERFORMANCE CURVES

WorldWide Electric Corporation

1 (800) 808-2131

Worldwideelectric.net



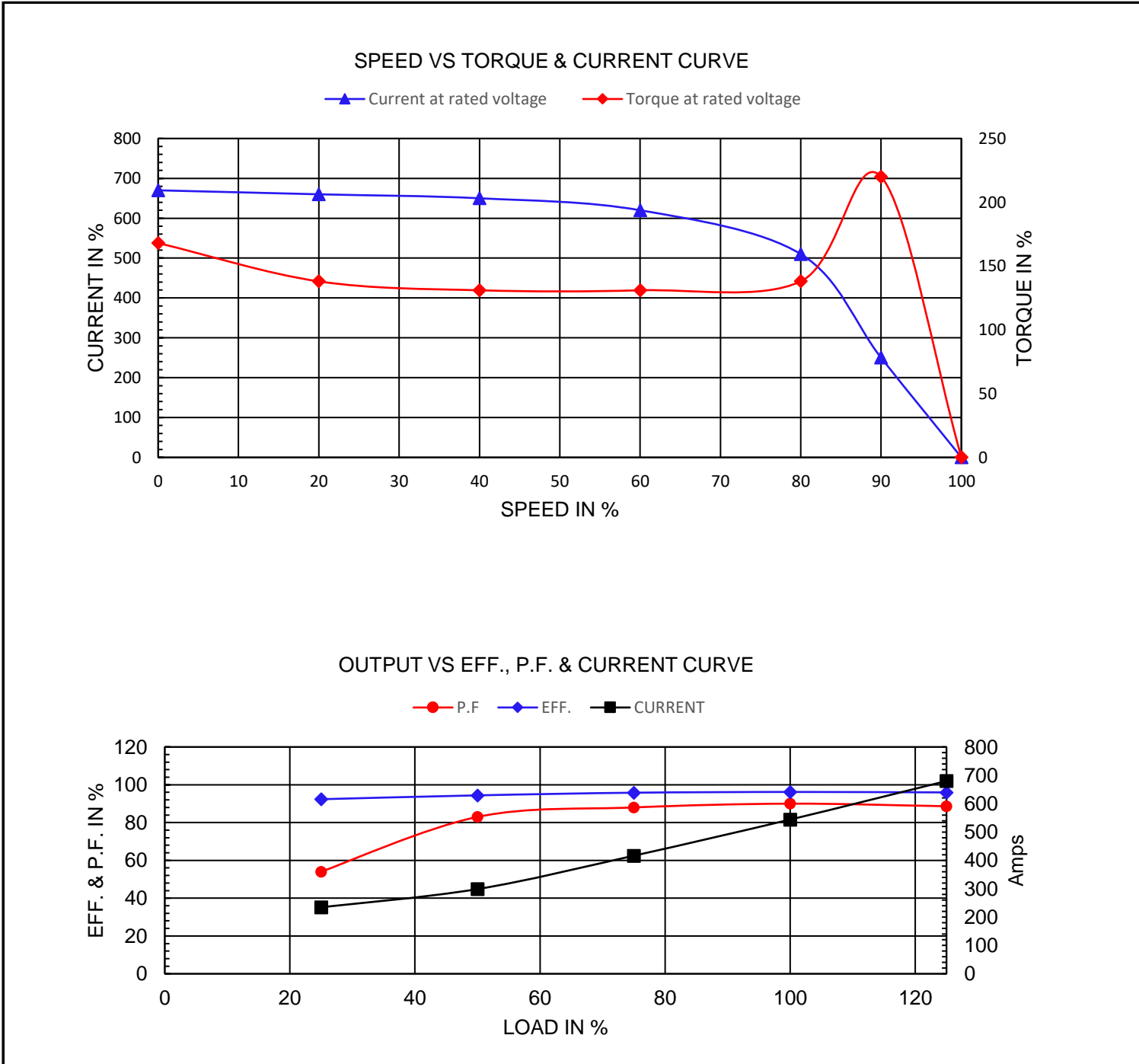
Premium Efficiency Motor:

WPEVHS500-18-460-5008P-DB-24.5

Document Generated: 25-Jan-2023
Document ID:

Customer:

Motor Type	WPEVHS			FL Speed	1790	460 volt FLA	544A
Output Rating (HP)	500			LRT (%FLT)	168	230 volt FLA	-A
Full Load Torque	1460	lb.ft		BDT (%FLT)	220		
Rotor Wk ²	96.2	lb-ft ²					



NAMEPLATE / WIRING

WorldWide Electric Corporation

1 (800) 808-2131

Worldwideelectric.net



Premium Efficiency Motor: **WPEVHS500-18-460-5008P-DB-24.5**

Document Generated: 11-May-2022
Document ID:

Customer:

SAMPLE NAMEPLATE DATA

		PREMIUM EFFICIENCY THREE PHASE VHS MOTOR				CC326B														
Model:																				
Frame:	Ins Cl: F	Hz:	60	50	<table border="1"> <tr> <td colspan="2">460V</td> </tr> <tr> <td>T4</td> <td>T9</td> <td>T6</td> </tr> <tr> <td>T8</td> <td>T5</td> <td>T7</td> </tr> <tr> <td>T10</td> <td>T11</td> <td>T12</td> </tr> <tr> <td>T2</td> <td>T3</td> <td>T1</td> </tr> </table>		460V		T4	T9	T6	T8	T5	T7	T10	T11	T12	T2	T3	T1
460V																				
T4	T9	T6																		
T8	T5	T7																		
T10	T11	T12																		
T2	T3	T1																		
HP:	AMB. 40 C	Volt:	460	400	MADE IN CHINA															
Duty: CONT	Lbs.	Amps:																		
Nominal Eff:		RPM:																		
Encl: WPI DP		SF:																		
DE/ODE Brng:		SFA:	A	A																
S/N		LRA:	A	A																
Down thrust rating:							lbs.													
Inverter Rated 10:1 VT																				
ROTATION																				
WORLDWIDE ELECTRIC CORPORATION																				

Model	WPEVHS500-18-460-5008P-DB-24.5		60 Hz	50 Hz
Frame	5008P	Amps	544A	625A
HP	500	RPM	1790	1485
Nom.Eff.	96.2%	SF	1.15	1.15
DE/ODE Brng	6322-C3 7236B/DT	SFA	626A	719A
Down Thrust	24000 lbs	LRA	3645A	4188A