

# DATA SHEET

Premium Efficiency Motor: **WPEVHS60-18-364TP-16.5,**

**60 Hz**

WorldWide Electric Corporation

1 (800) 808-2131

Worldwideelectric.net



Document Generated: 11-May-2022  
Document ID:

Customer:

## MOTOR INFORMATION

HP	60
RPM	1800
Phase	3
Frequency	60 Hz
Voltage	230/460
Frame Size	364TP
Enclosure	ODP - WPI
Degree of Protection	IP23
Service Factor	1.15
Poles	4
Full Load Speed	1787
Insulation Class	F
Temp Rise	80°C
NEMA Code Letter	G
Duty Cycle	S1 / Continuous
Slip	0.81%
NEMA Design	B
Moment of Inertia	16.1 lb.ft.^2
Locked Rotor Time (Hot)	72 seconds
Sound Pressure Level	94 dB(A)
Number of Starts	3 Cold / 2 Hot
Max Ambient Temperature	40°C
Max Elevation	1000 m.a.s.l (3300 f.a.s.l)
Mounting	V1
Rotation	CCW - with Anti-Reverese Ratchet
Area of Classification	Safe
Inverter Rating	10:1 VT
Standard	NEMA MG-1
Approvals	CSA

## EFFICIENCY/POWER FACTOR

LOAD	EFF	P. F.
100%	95.0 %	0.87
75%	94.8 %	0.84
50%	93.9 %	0.76

## TORQUE

FULL LOAD	LRT	BDT
175 lb.ft.	184 %	254 %

## AMPERAGE INFORMATION

	230V	460V
Full Load Amps	137A	68.3A
Locked Rotor Amps	844.2A	422.1A
No Load Current	47A	23.5A

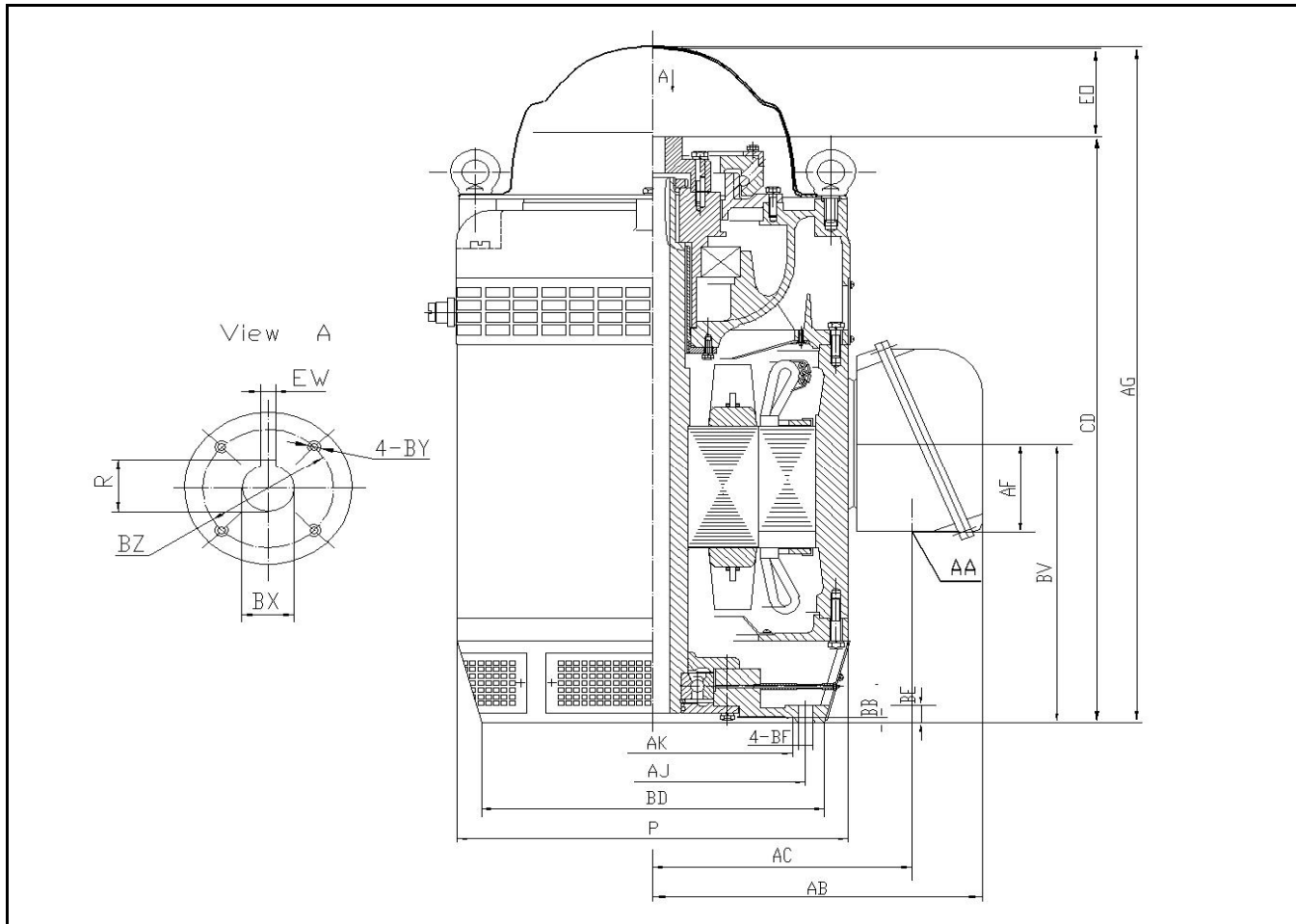
## BEARING INFORMATION

Lower (DE) Bearing	6314-C3
Upper (ODE) Bearing	7224B
DE Lubrication Type	Mobil Polyrex EM
ODE Lubrication Type	ISO VC 32 Oil
DE Regreasing Interval	3800 Hours
ODE Regreasing Interval	3800 Hours
Lubrication Quantity	55g / 2.81qt

## ADDITIONAL DATA

Down Thrust	5600 lbs
Shaft Material	45 Carbon Steel
Connection Diagram	12 Lead 2Δ/Δ
Approximate Weight	983 lbs.

**364TP - 16.5 BD**



**DIMENSIONS - INCHES**

COUPLING - STANDARD BORE				
BX	EW	R	BY	BZ
1-1/4	1/4	1.367	1/4-20	1-3/4

OVERALL			
P	AB	AG	BV
19.1	16.32	36	14.97

BASE						
AJ	AK	BB	BD	BF	EO	BE
14.75	13.5	0.25	16.5	4 * 0.69	4.56	0.79

CD	AC	AF	AA
31.16	12.56	5.83	3 NPT

# PERFORMANCE CURVES

WorldWide Electric Corporation

1 (800) 808-2131

Worldwideelectric.net



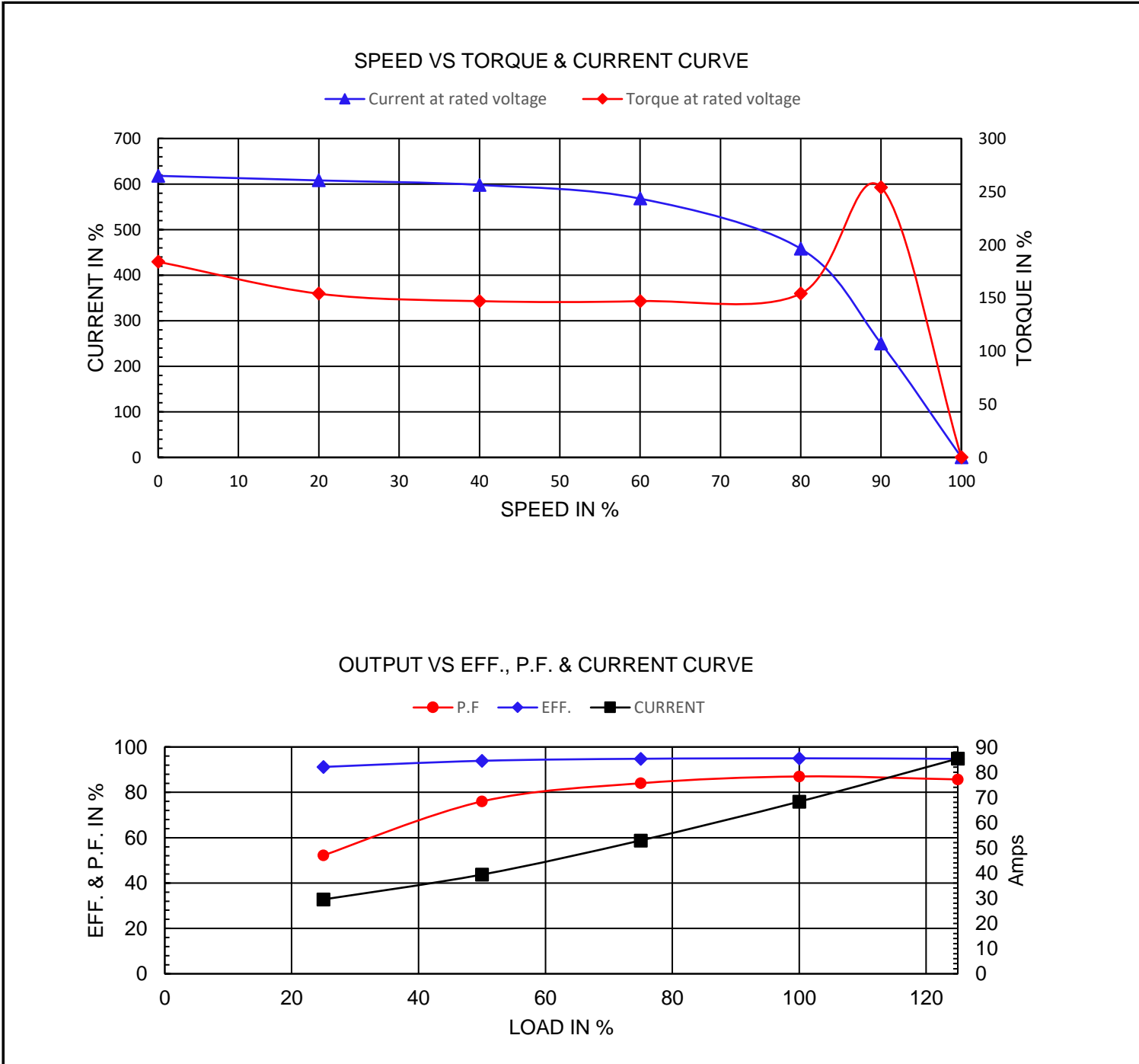
Premium Efficiency Motor:

**WPEVHS60-18-364TP-16.5**

Document Generated: 25-Jan-2023  
Document ID:

Customer:

Motor Type	WPEVHS				
Output Rating (HP)	60	FL Speed	1787		
Full Load Torque	175 lb.ft	LRT (%FLT)	184	460 volt FLA	68.3A
Rotor Wk <sup>2</sup>	95 lb-ft <sup>2</sup>	BDT (%FLT)	254	230 volt FLA	137A



# NAMEPLATE / WIRING

Premium Efficiency Motor: **WPEVHS60-18-364TP-16.5**

WorldWide Electric Corporation

1 (800) 808-2131




Worldwideelectric.net



Document Generated: 11-May-2022  
Document ID:

Customer:

## SAMPLE NAMEPLATE DATA

		<b>PREMIUM EFFICIENCY THREE PHASE VHS MOTOR</b>				<b>CC326B</b>															
Model:																					
Frame:	Ins Cl: F	Hz:	60	50	<table border="1"> <tr> <td colspan="3">230V</td> </tr> <tr> <td>T4</td><td>T9</td><td>T6</td></tr> <tr> <td>T8</td><td>T5</td><td>T7</td></tr> <tr> <td>T10</td><td>T11</td><td>T12</td></tr> <tr> <td>T2</td><td>T3</td><td>T1</td></tr> </table>		230V			T4	T9	T6	T8	T5	T7	T10	T11	T12	T2	T3	T1
230V																					
T4	T9	T6																			
T8	T5	T7																			
T10	T11	T12																			
T2	T3	T1																			
HP:	AMB. 40 C	Volt:	230/460	200/400	<table border="1"> <tr> <td colspan="3">460V</td> </tr> <tr> <td>T4</td><td>T5</td><td>T6</td></tr> <tr> <td>T7</td><td>T8</td><td>T9</td></tr> <tr> <td>T10</td><td>T11</td><td>T12</td></tr> <tr> <td>T2</td><td>T3</td><td>T1</td></tr> </table>		460V			T4	T5	T6	T7	T8	T9	T10	T11	T12	T2	T3	T1
460V																					
T4	T5	T6																			
T7	T8	T9																			
T10	T11	T12																			
T2	T3	T1																			
Duty: CONT	Lbs.	Amps:			<b>MADE IN CHINA</b>																
Nominal Eff:		RPM:																			
Encl: WPI DP		SF:																			
DE/ODE Brng:		SFA:	A	A																	
S/N		LRA:	A	A																	
Down thrust rating:				lbs.																	
Inverter Rated 10:1 VT ROTATION 																					
<b>WORLDWIDE ELECTRIC CORPORATION</b>																					

Model	WPEVHS60-18-364TP-16.5		60 Hz	50 Hz
Frame	364TP		Amps	137/68.3A
HP	60		RPM	1787
Nom.Eff.	95.0%		SF	1.15
DE/ODE Brng	6314-C3	7224B	SFA	158/79A
Down Thrust	5600 lbs		LRA	844.2/422.1A
				158/79A
				180/90A
				1058/529A