

# DATA SHEET

Premium Efficiency Motor: **WPEVHS75-18-365TP-16.5,**

**60 Hz**

WorldWide Electric Corporation

1 (800) 808-2131

Worldwideelectric.net



Document Generated: 11-May-2022  
Document ID:

Customer:

MOTOR INFORMATION	
HP	75
RPM	1800
Phase	3
Frequency	60 Hz
Voltage	230/460
Frame Size	365TP
Enclosure	ODP - WPI
Degree of Protection	IP23
Service Factor	1.15
Poles	4
Full Load Speed	1787
Insulation Class	F
Temp Rise	80°C
NEMA Code Letter	G
Duty Cycle	S1 / Continuous
Slip	0.79%
NEMA Design	B
Moment of Inertia	17.3 lb.ft.^2
Locked Rotor Time (Hot)	51 seconds
Sound Pressure Level	94 dB(A)
Number of Starts	3 Cold / 2 Hot
Max Ambient Temperature	40°C
Max Elevation	1000 m.a.s.l (3300 f.a.s.l)
Mounting	V1
Rotation	CCW - with Anti-Reverese Ratchet
Area of Classification	Safe
Inverter Rating	10:1 VT
Standard	NEMA MG-1
Approvals	CSA

EFFICIENCY/POWER FACTOR		
LOAD	EFF	P. F.
100%	95.0 %	0.87
75%	94.7 %	0.85
50%	93.5 %	0.79

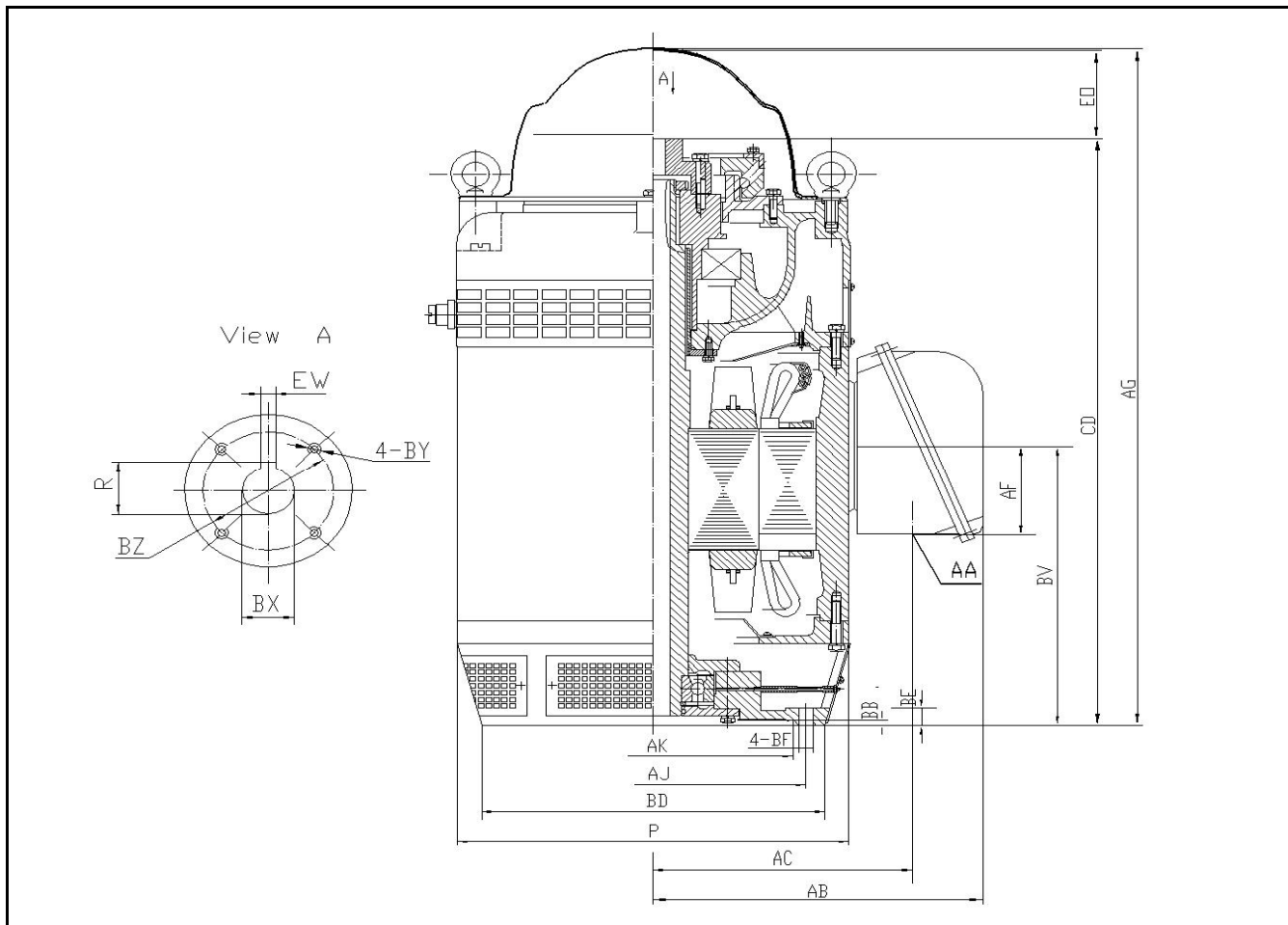
TORQUE		
FULL LOAD	LRT	BDT
219 lb.ft.	213 %	271 %

AMPERAGE INFORMATION		
	230V	460V
Full Load Amps	170A	85A
Locked Rotor Amps	1084A	542.2A
No Load Current	58.2A	29.1A

BEARING INFORMATION	
Lower (DE) Bearing	6314-C3
Upper (ODE) Bearing	7224B
DE Lubrication Type	Mobil Polyrex EM
ODE Lubrication Type	ISO VC 32 Oil
DE Regreasing Interval	3800 Hours
ODE Regreasing Interval	3800 Hours
Lubrication Quantity	55g / 2.81qt

ADDITIONAL DATA	
Down Thrust	5600 lbs
Shaft Material	45 Carbon Steel
Connection Diagram	12 Lead 2Δ/Δ
Approximate Weight	1034 lbs.

**365TP - 16.5 BD**



**DIMENSIONS - INCHES**

COUPLING - STANDARD BORE				
BX	EW	R	BY	BZ
1-1/4	1/4	1.367	1/4-20	1-3/4

OVERALL			
P	AB	AG	BV
19.1	16.32	36	14.97

BASE						
AJ	AK	BB	BD	BF	EO	BE
14.75	13.5	0.25	16.5	4 * 0.69	4.56	0.79

CD	AC	AF	AA
31.16	12.56	5.83	3 NPT

# PERFORMANCE CURVES

WorldWide Electric Corporation

1 (800) 808-2131

Worldwideelectric.net



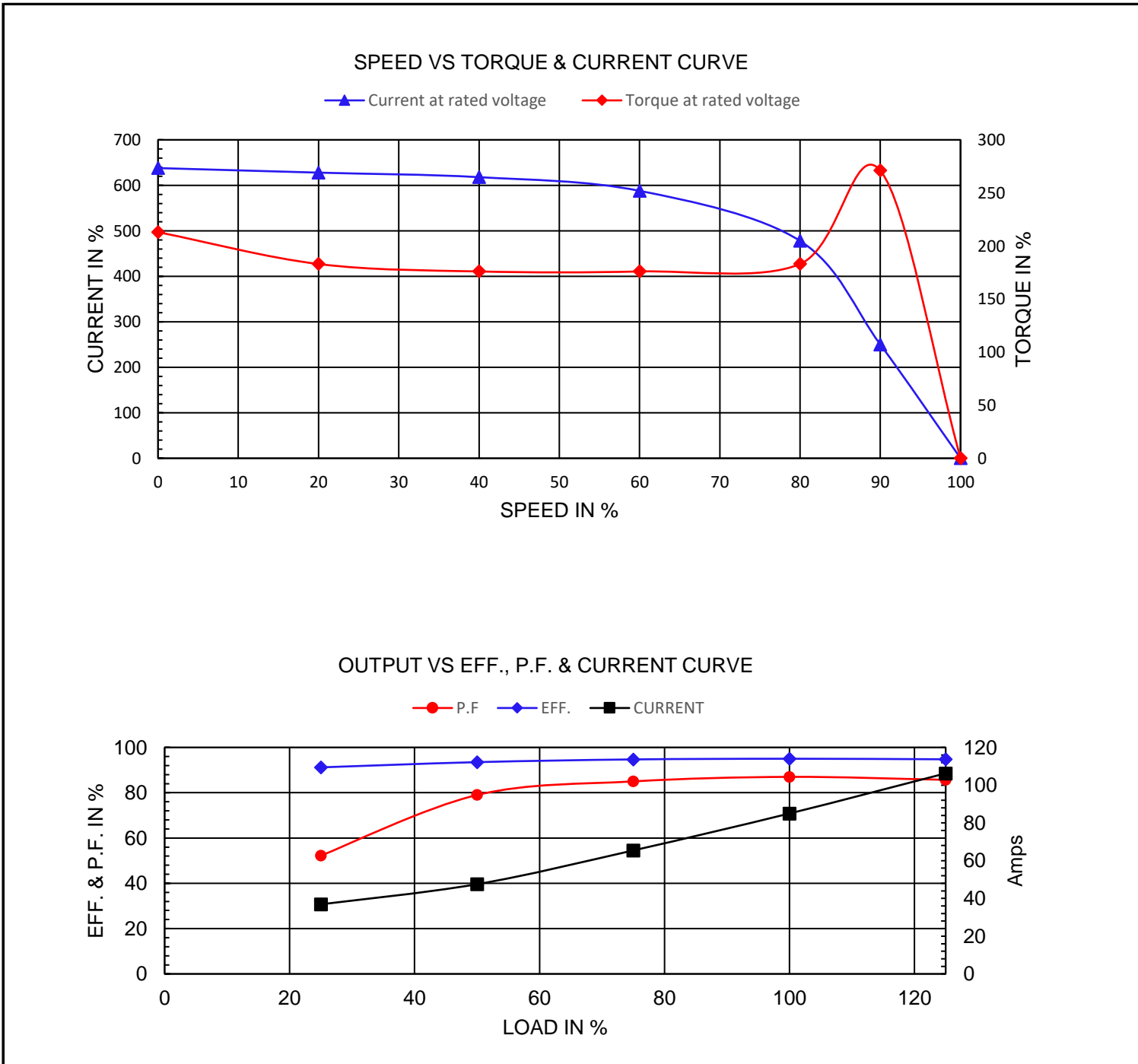
Premium Efficiency Motor:

**WPEVHS75-18-365TP-16.5**

Document Generated: 25-Jan-2023  
Document ID:

Customer:

Motor Type	WPEVHS				
Output Rating (HP)	75	FL Speed	1787		
Full Load Torque	219 lb.ft	LRT (%FLT)	213	460 volt FLA	85A
Rotor Wk^2	95 lb-ft^2	BDT (%FLT)	271	230 volt FLA	170A



# NAMEPLATE / WIRING

Premium Efficiency Motor: **WPEVHS75-18-365TP-16.5**

WorldWide Electric Corporation

1 (800) 808-2131




Worldwideelectric.net



Document Generated: 11-May-2022  
Document ID:

Customer:

## SAMPLE NAMEPLATE DATA

		<b>PREMIUM EFFICIENCY THREE PHASE VHS MOTOR</b>				<b>CC326B</b>														
Model:																				
Frame:	Ins Cl: F	Hz:	60	50	<table border="1"> <tr> <td colspan="2">230V</td> </tr> <tr> <td>T4</td><td>T9</td><td>T6</td></tr> <tr> <td>T8</td><td>T5</td><td>T7</td></tr> <tr> <td>T10</td><td>T11</td><td>T12</td></tr> <tr> <td>T2</td><td>T3</td><td>T1</td></tr> </table>		230V		T4	T9	T6	T8	T5	T7	T10	T11	T12	T2	T3	T1
230V																				
T4	T9	T6																		
T8	T5	T7																		
T10	T11	T12																		
T2	T3	T1																		
HP:	AMB. 40 C	Volt:	230/460	200/400	<table border="1"> <tr> <td colspan="2">460V</td> </tr> <tr> <td>T4</td><td>T5</td><td>T6</td></tr> <tr> <td>T7</td><td>T8</td><td>T9</td></tr> <tr> <td>T10</td><td>T11</td><td>T12</td></tr> <tr> <td>T2</td><td>T3</td><td>T1</td></tr> </table>		460V		T4	T5	T6	T7	T8	T9	T10	T11	T12	T2	T3	T1
460V																				
T4	T5	T6																		
T7	T8	T9																		
T10	T11	T12																		
T2	T3	T1																		
Duty: CONT	Lbs.	Amps:			<b>MADE IN CHINA</b>															
Nominal Eff:		RPM:																		
Encl: WPI DP		SF:																		
DE/ODE Brng:		SFA:	A	A																
S/N		LRA:	A	A																
Down thrust rating:				lbs.																
Inverter Rated 10:1 VT ROTATION 																				
<b>WORLDWIDE ELECTRIC CORPORATION</b>																				

<b>Model</b>	WPEVHS75-18-365TP-16.5		<b>60 Hz</b>	<b>50 Hz</b>
<b>Frame</b>	365TP		<b>Amps</b>	170/85A
<b>HP</b>	75		<b>RPM</b>	1787
<b>Nom.Eff.</b>	95.0%		<b>SF</b>	1.15
<b>DE/ODE Brng</b>	6314-C3	7224B	<b>SFA</b>	196/98A
<b>Down Thrust</b>	5600 lbs		<b>LRA</b>	1084/542.2A
				196/98A
				226/113A
				1379/688A