

DATA SHEET

WorldWide Electric Corporation

1 (800) 808-2131

Worldwideelectric.net



Premium Efficiency Motor: **WPMDC1-18-12V-56CB**

60 Hz

Document Generated: 3-Mar-2023

Document ID:

Customer:

MOTOR INFORMATION

| | |
|-------------------------|----------------------------|
| HP | 1 |
| RPM | 1800 |
| Poles | 4 |
| Armature Voltage | 12V |
| Frame Size | 56C |
| Enclosure | TEFC |
| Degree of Protection | IP54 |
| Armature Full Load Amps | 82.2 |
| Full Load Torque | 2.92 lb.ft. |
| Form Factor | 1.00 |
| Service Factor | 1.00 |
| Insulation Class | F |
| Max Ambient Temperature | 40°C |
| Base Type | C-Face with Removable Base |
| Duty Cycle | Continuous |
| Shaft | KEYED |
| DE Bearing | 6203 |
| ODE Bearing | 6203 |
| Mounting | F3 |
| Rotation | Bi-Directional |
| Wire Type | Loose Wire |
| Wire Housing | Junction Box |
| Approximate Weight | 33 lbs. |
| Full Load Efficiency | 75.0 % |
| Standard | CSA-US |

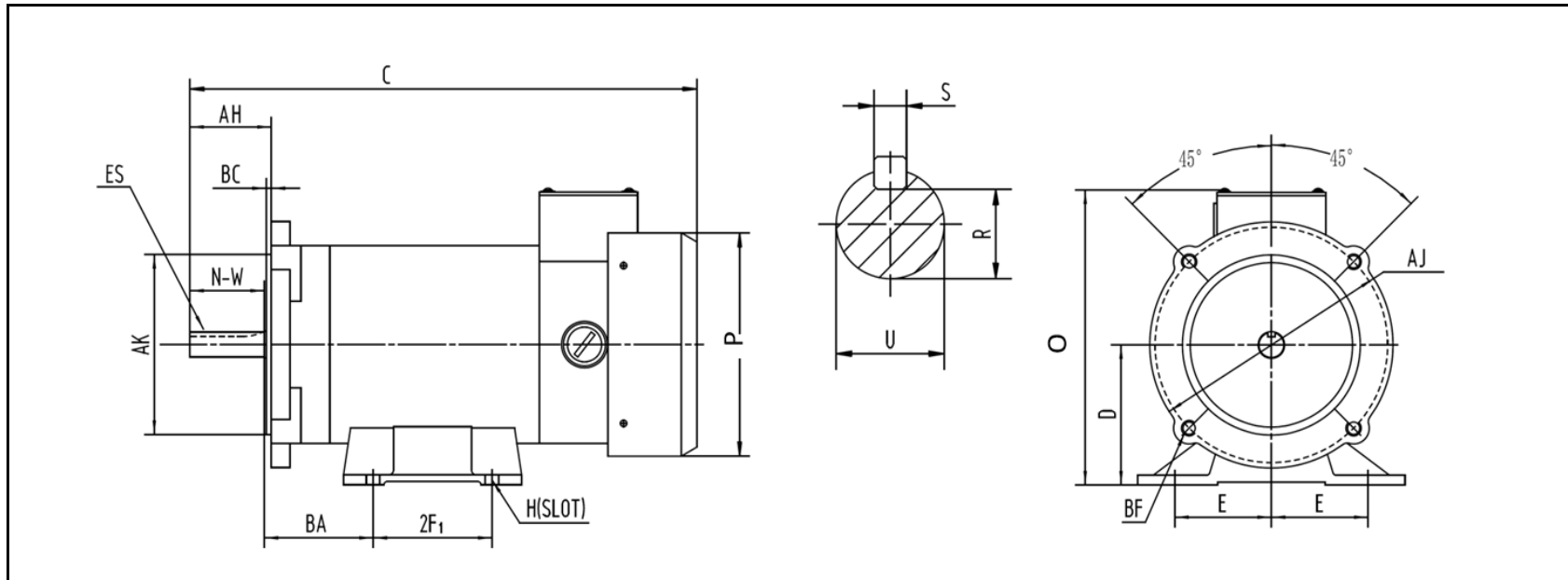
MOTOR DRAWING

Premium Efficiency Motor: **WPMDC1-18-12V-56CB**

WorldWide Electric Corporation

1 (800) 808-2131

Worldwideelectric.net



DIMENSION - INCHES

| MOUNTING | | | | C | D | O | P |
|----------|-----|------|------|------|-----|------|------|
| E | 2F1 | H | BA | | | | |
| 2.44 | 3 | 0.34 | 2.75 | 14.3 | 3.5 | 7.63 | 5.57 |

| SHAFT & KEY | | | | |
|-------------|------|-------|------|-------|
| S | ES | R | N-W | U |
| 0.188 | 1.41 | 0.517 | 1.88 | 0.625 |

| FLANGE | | | | |
|--------|-------|----------|------|------|
| AK | AJ | BF | AH | BC |
| 4.5 | 5.875 | 4*3/8-16 | 2.06 | 0.12 |