

# DATA SHEET

WorldWide Electric Corporation

1 (800) 808-2131

Worldwideelectric.net



Premium Efficiency Motor: **WPMDC34-18-90V-56CB**

**60 Hz**

Document Generated: 3-Mar-2023  
Document ID:

Customer:

## MOTOR INFORMATION

|                         |                            |
|-------------------------|----------------------------|
| HP                      | 3/4                        |
| RPM                     | 1800                       |
| Poles                   | 4                          |
| Armature Voltage        | 90V                        |
| Frame Size              | 56C                        |
| Enclosure               | TEFC                       |
| Degree of Protection    | IP54                       |
| Armature Full Load Amps | 7.8                        |
| Full Load Torque        | 2.19 lb.ft.                |
| Form Factor             | 1.00                       |
| Service Factor          | 1.00                       |
| Insulation Class        | F                          |
| Max Ambient Temperature | 40°C                       |
| Base Type               | C-Face with Removable Base |
| Duty Cycle              | Continuous                 |
| Shaft                   | KEYED                      |
| DE Bearing              | 6203                       |
| ODE Bearing             | 6203                       |
| Mounting                | F3                         |
| Rotation                | Bi-Directional             |
| Wire Type               | Loose Wire                 |
| Wire Housing            | Junction Box               |
| Approximate Weight      | 28 lbs.                    |
| Full Load Efficiency    | 82.0 %                     |
| Standard                | CSA-US                     |

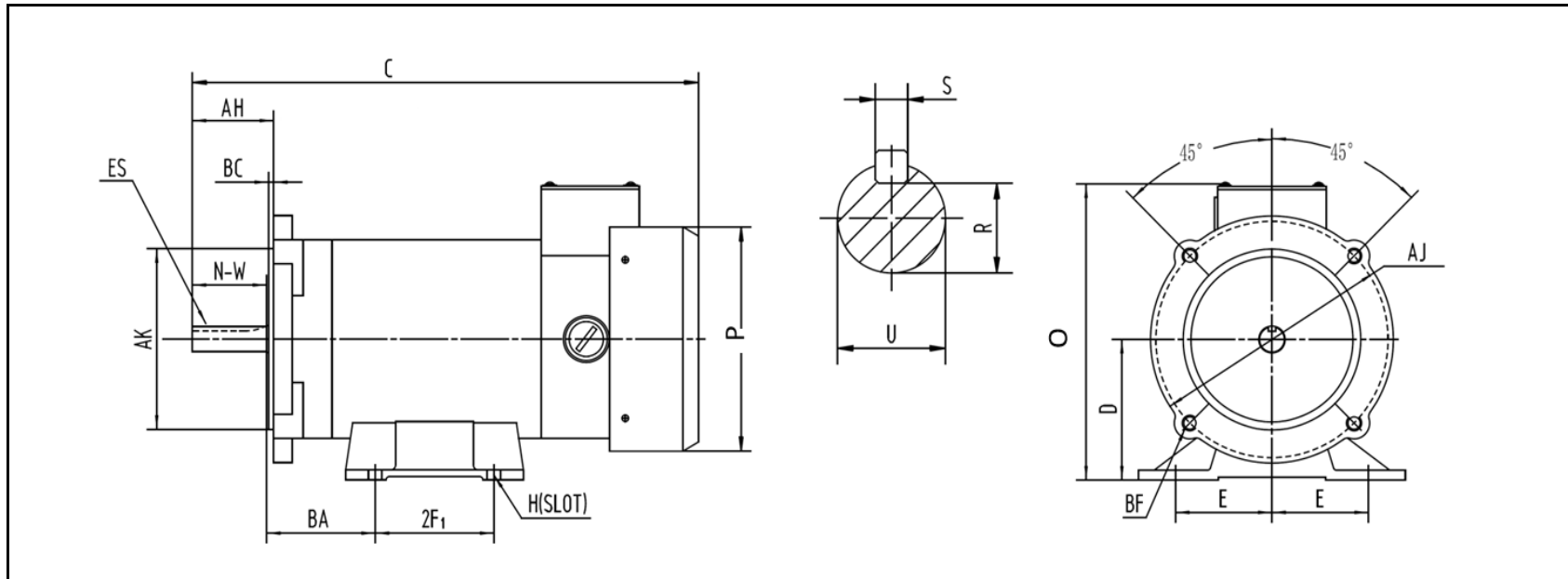
# MOTOR DRAWING

Premium Efficiency Motor: **WPMDC34-18-90V-56CB**

WorldWide Electric Corporation

1 (800) 808-2131

Worldwideelectric.net



## DIMENSION - INCHES

| MOUNTING |     |      |      | C     | D   | O    | P    |
|----------|-----|------|------|-------|-----|------|------|
| E        | 2F1 | H    | BA   |       |     |      |      |
| 2.44     | 3   | 0.34 | 2.75 | 13.51 | 3.5 | 7.63 | 5.57 |

| SHAFT & KEY |      |       |      |       |
|-------------|------|-------|------|-------|
| S           | ES   | R     | N-W  | U     |
| 0.188       | 1.41 | 0.517 | 1.88 | 0.625 |

| FLANGE |       |          |      |      |
|--------|-------|----------|------|------|
| AK     | AJ    | BF       | AH   | BC   |
| 4.5    | 5.875 | 4*3/8-16 | 2.06 | 0.12 |