



WORLDWIDE ELECTRIC MOTOR DATA SHEET

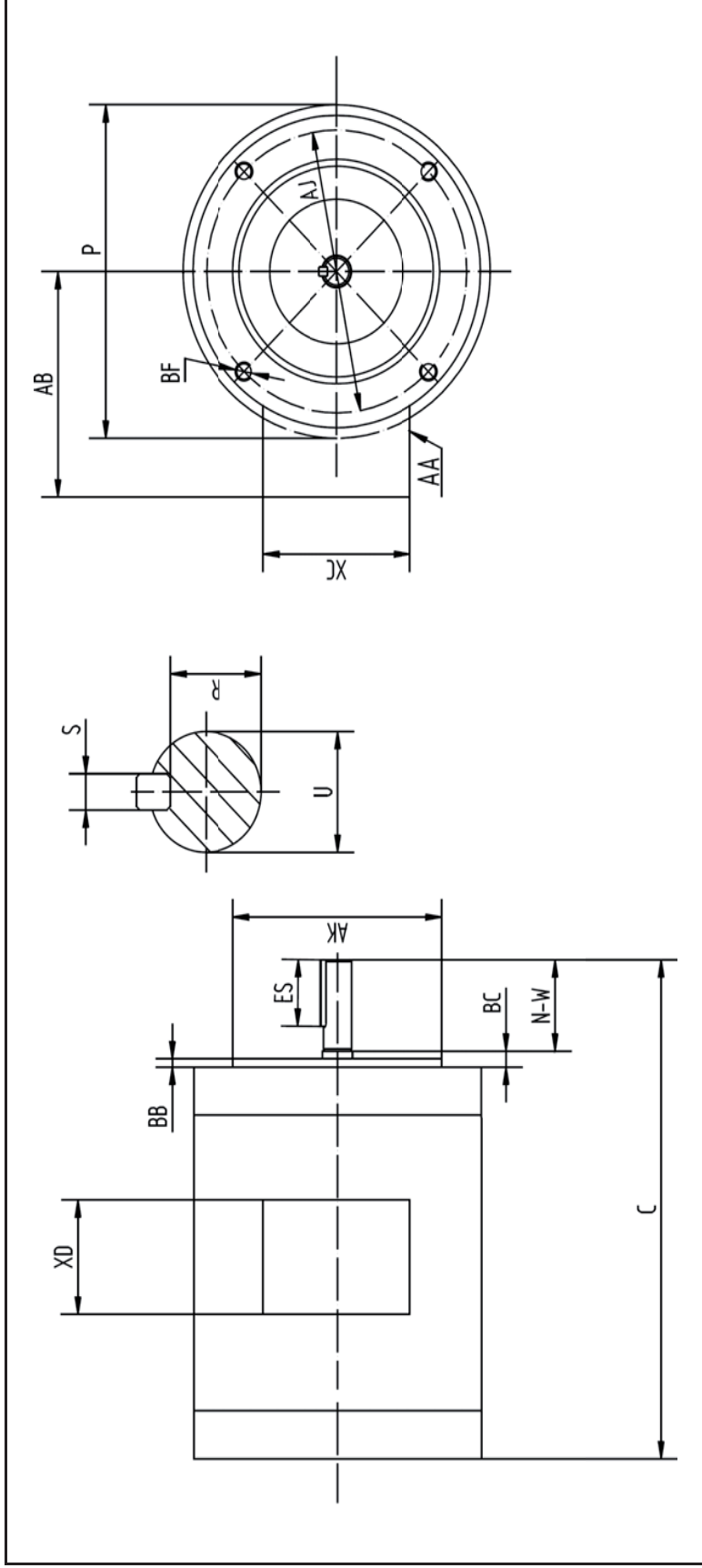


WSSNV34-18-56CRD

HP	3/4
RPM / POLES	1800 / 4
VOLTAGE / PHASE	230 / 460 V / 3
FRAME	56C
ENCLOSURE	TENV / IP56
FREQUENCY	60 HZ
RATED SPEED	1725 RPM
FULL LOAD AMPS	2.4 / 1.2 A
DUTY CYCLE	CONTINUOUS
SERVICE FACTOR	1.15
INSULATION CLASS	F
RATED TORQUE	2.2 LB. FT.
LOCKED ROTOR TORQUE	227%
BREAKDOWN TORQUE	320%
LOCKED ROTOR AMPS (STARTING)	14.4 / 7.2 A
NO LOAD CURRENT	0.88 / 0.44 A
BASE TYPE	C-FACE - ROUND BODY
SHAFT	KEYED
DE BEARING	6205 DDU
ODE BEARING	6205 DDU
MOUNTING	F1
ROTATION	CW / CCW
OVERLOAD	---
START CAPACITOR	---
RUN CAPACITOR	---
WIRE TYPE	LOOSE WIRE
WIRE HOUSING	JUNCTION BOX
ROTOR INERTIA	0.08720 LB. FT. ²
SHAFT MATERIAL	304 STAINLESS STEEL
CONNECTION DIAGRAM	230 / 460 V - 9 LEAD Y
APPROX. WEIGHT	33 LBS.
POWER FACTOR	0.78
FL EFFICIENCY	82.5%



WORLDWIDE ELECTRIC MOTOR DRAWING
WSSNV34-18-56CRD



C	P	FLANGE			SHAFT			KEYSEAT		
		AA	AB	BC	N-W	U	ES	S	R	
10.59	6.5	0.86	5.75	0.19	1.88	0.625	1.41	0.188	0.517	

FLANGE			SHAFT			TERMINAL BOX		
AJ	AK	BB	N-W	U	XC	XD		
5.875	4.5	0.16	1.88	0.625	4.72	3.8		

ALL DIMENSIONS IN INCHES